

# Oval 5936ED | Bathtub Only

Product Number: BUDROTO5936EDFS-A 59" x 36" x 26"



## STANDARD & OPTIONAL ACCESSORIES

### DRAINS OPTIONAL

- Bath Drain - Pop up: Polished Chrome or Brushed Nickel.
- In Floor Drain EZ Fast Connect (optional)



### TECHNICAL SPECIFICATIONS

End drain

### FAUCET INFORMATION

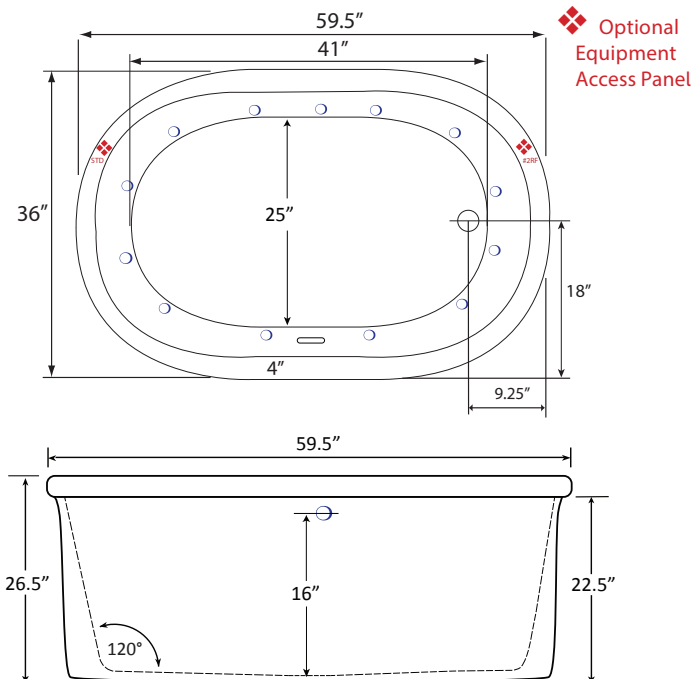
- Floor mount (not included)
- Floor mount verify spout distance
- Optional Pump Access Panel (Highly Recommended)

### ADDITIONAL INFORMATION

6 1/2" or more space required to access equipment panel. Tub may also need to be shifted or optional disconnected in some situations.

Access panel equipment design and location may vary based on model. If optional access is not added, tub may not pass inspection and tub will need to be removed for service.

Your qualified installer must water test and run all equipment before leaving your home to ensure proper operation and validate warranty.



Specifications and features are subject to change without notice and are + .25". All final measurements should be taken from tub on site.

HydroMassage Products LLC • 303-341-1845 • Fax: 303-341-1850 • [www.hydromassageproducts.com](http://www.hydromassageproducts.com)

# Oval 6636SD | Air A12 Massage

Product Number: BUDROA12J6636SDFS-A 66" x 36" x 28"



## STANDARD & OPTIONAL ACCESSORIES

### JETS: 12 Total

- 12 Classic Air Jets

### PUMPS

1.0 Air Power

### CONTROLS

Air Switch On/Off Control(s)

### DRAINS & OVERFLOWS INFORMATION

- Bath Drain - Pop up: Polished Chrome or Brushed Nickel.
- In Floor Drain EZ Fast Connect (optional)

### FAUCET INFORMATION

- Floor mount (not included)
- Floor mount verify spout distance
- Optional Pump Access Panel (Highly Recommended)

### ADDITIONAL INFORMATION

6 1/2" or more space required to access equipment panel. Tub may also need to be shifted or optional disconnected in some situations.

Access panel equipment design and location may vary based on model. If optional access is not added, tub may not pass inspection and tub will need to be removed for service.

Your qualified installer must water test and run all equipment before leaving your home to ensure proper operation and validate warranty.

### TECHNICAL SPECIFICATIONS

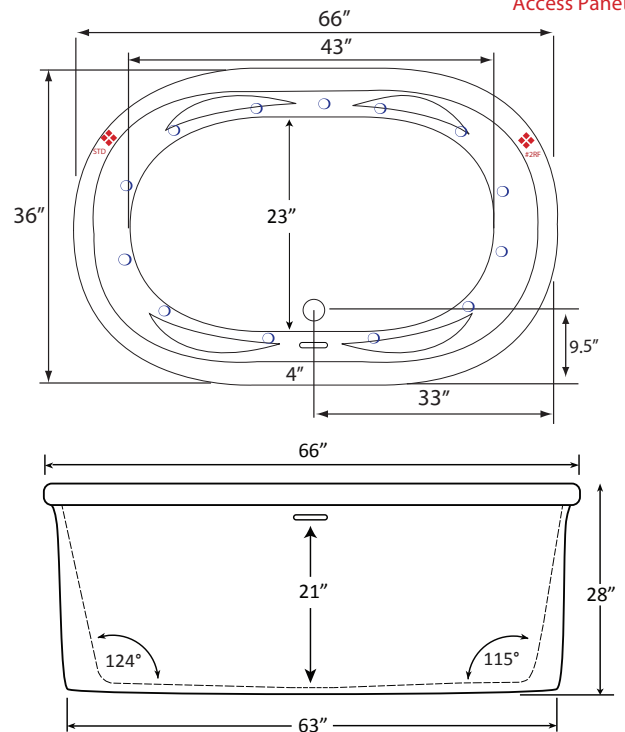
Side drain

Pump Location(s): Standard or #2RF

### ELECTRICAL REQUIREMENTS

(1) 115v 20AMP GFCI Circuits

Optional  
Equipment  
Access Panel



Specifications and features are subject to change without notice and are + .25". All final measurements should be taken from tub on site.

HydroMassage Products LLC • 303-341-1845 • Fax: 303-341-1850 • [www.hydrmassageproducts.com](http://www.hydrmassageproducts.com)

# Oval 7236SD | Air A12 Massage

Product Number: BUDROA12J7236SDFS-A 72" x 36" x 28"



## STANDARD & OPTIONAL ACCESSORIES

### JETS: 12 Total

- 12 Classic Air Jets

### PUMPS

1.0 Air Power

### CONTROLS

Air Switch On/Off Control(s)

### DRAINS & OVERFLOWS INFORMATION

- Bath Drain - Pop up: Polished Chrome or Brushed Nickel.
- In Floor Drain EZ Fast Connect (optional)

### FAUCET INFORMATION

- Floor mount (not included)
- Floor mount verify spout distance
- Optional Pump Access Panel (Highly Recommended)

### ADDITIONAL INFORMATION

6 1/2" or more space required to access equipment panel. Tub may also need to be shifted or optional disconnected in some situations.

Access panel equipment design and location may vary based on model. If optional access is not added, tub may not pass inspection and tub will need to be removed for service.

Your qualified installer must water test and run all equipment before leaving your home to ensure proper operation and validate warranty.

### TECHNICAL SPECIFICATIONS

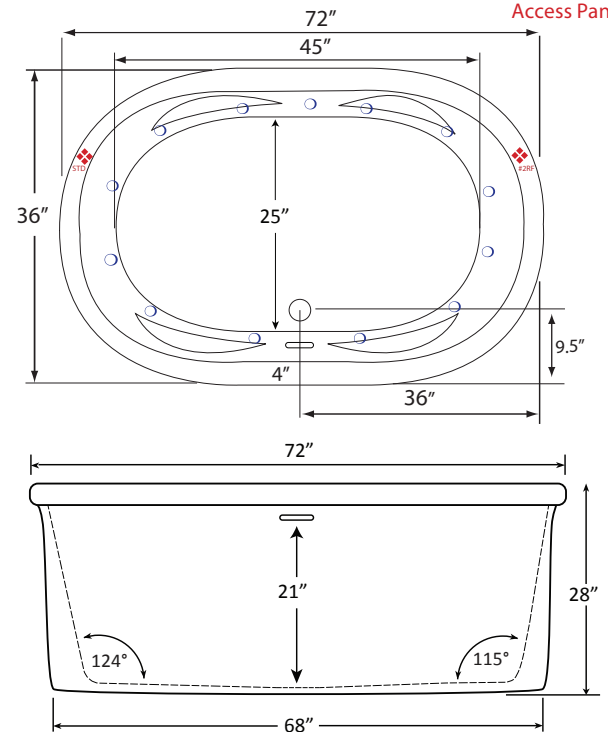
Side drain

Pump Location(s): Standard or #2RF

### ELECTRICAL REQUIREMENTS

(1) 115v 20AMP GFCI Circuits

Optional  
Equipment  
Access Panel



Specifications and features are subject to change without notice and are + .25". All final measurements should be taken from tub on site.

HydroMassage Products LLC • 303-341-1845 • Fax: 303-341-1850 • [www.hydrmassageproducts.com](http://www.hydrmassageproducts.com)

# Oval 7242SD | Air A12 Massage

Product Number: BUDROA12J7242SDFS-A 72" x 42" x 29"



## STANDARD & OPTIONAL ACCESSORIES

### JETS: 12 Total

- 12 Classic Air Jets

### PUMPS

1.0 Air Power 3-Speed

### CONTROLS

Air Switch On/Off Control(s)

### DRAINS & OVERFLOWS INFORMATION

- Bath Drain - Pop up: Polished Chrome or Brushed Nickel.
- In Floor Drain EZ Fast Connect (optional)

### FAUCET INFORMATION

- Floor mount (not included)
- Floor mount verify spout distance
- Optional Pump Access Panel (Highly Recommended)

### ADDITIONAL INFORMATION

6 1/2" or more space required to access equipment panel. Tub may also need to be shifted or optional disconnected in some situations.

Access panel equipment design and location may vary based on model. If optional access is not added, tub may not pass inspection and tub will need to be removed for service.

Your qualified installer must water test and run all equipment before leaving your home to ensure proper operation and validate warranty.

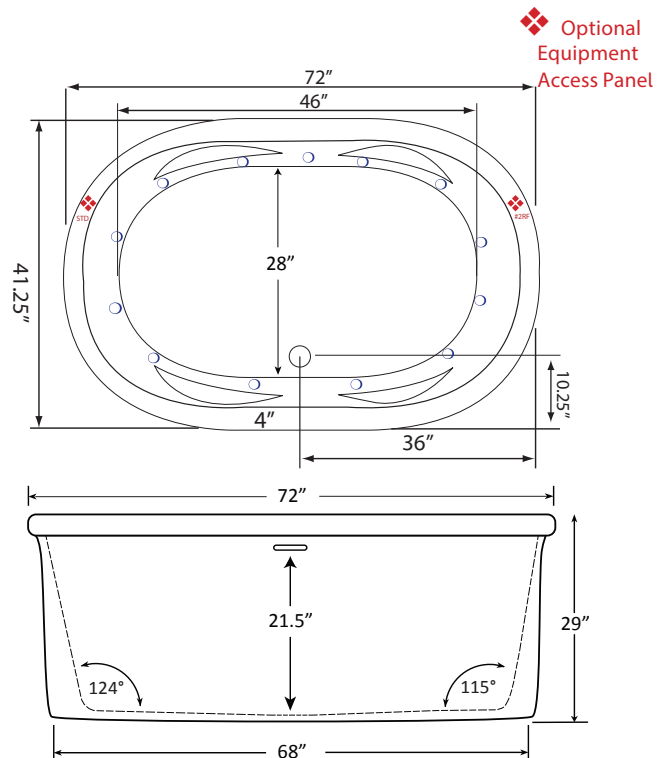
### TECHNICAL SPECIFICATIONS

Side drain

Pump Location(s): Standard or #2RF

### ELECTRICAL REQUIREMENTS

(1) 115v 20AMP GFCI Circuits



Specifications and features are subject to change without notice and are + .25". All final measurements should be taken from tub on site.

HydroMassage Products LLC • 303-341-1845 • Fax: 303-341-1850 • [www.hydromassageproducts.com](http://www.hydromassageproducts.com)

# Oval 5936ED | Combination 21 Water & Air Massage

Product Number: BUDROC21J5936EDFS-A 59" x 36" x 26"



## STANDARD & OPTIONAL ACCESSORIES

### JETS: 21 Total

- 12 Classic Air Jets
- Micro Flow Water Jets

### PUMPS

1.25 Hydropower 1-speed Pump  
1.0 Air Power Speed

### CONTROLS

Air Switch On/Off Control(s) f

### TECHNICAL SPECIFICATIONS

End drain  
Pump Location(s): Standard or #2RF

### ELECTRICAL REQUIREMENTS

(1) 115v 20AMP GFCI Circuits

### DRAINS & OVERFLOWS INFORMATION

- Bath Drain - Pop up: Polished Chrome or Brushed Nickel.
- In Floor Drain EZ Fast Connect (optional)

### FAUCET INFORMATION

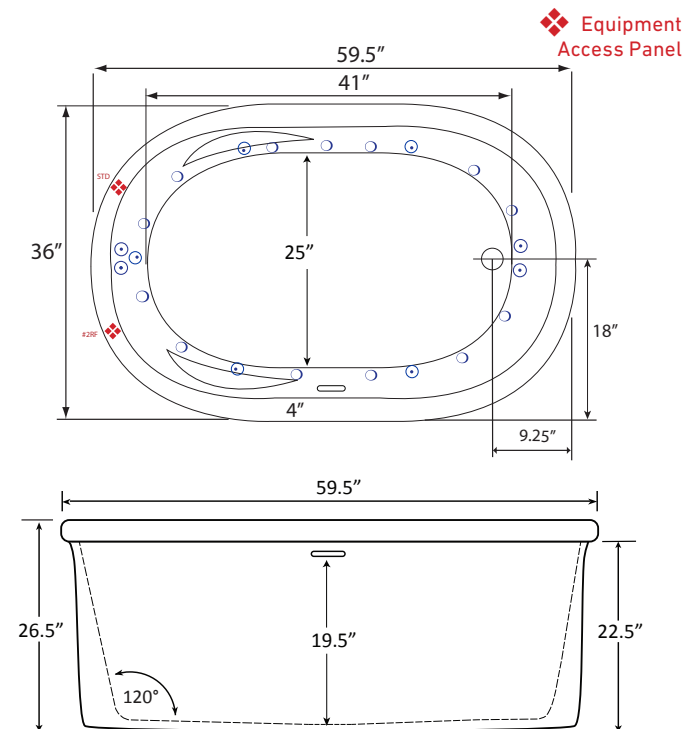
- Floor mount (not included)
- Floor mount verify spout distance
- Optional Pump Access Panel (Highly Recommended)

### ADDITIONAL INFORMATION

6 1/2" or more space required to access equipment panel. Tub may also need to be shifted or optional disconnected in some situations.

Access panel equipment design and location may vary based on model. If optional access is not added, tub may not pass inspection and tub will need to be removed for service.

Your qualified installer must water test and run all equipment before leaving your home to ensure proper operation and validate warranty.



Specifications and features are subject to change without notice and are + .25". All final measurements should be taken from tub on site.

HydroMassage Products LLC • 303-341-1845 • Fax: 303-341-1850 • [www.hydromassageproducts.com](http://www.hydromassageproducts.com)

# Oval 6636SD | Combination 21 Water & Air Massage

Product Number: BUDROC21J6636SDFS-A 66" x 36" x 28"



## STANDARD & OPTIONAL ACCESSORIES

### JETS: 21 Total

- 12 Classic Air Jets
- 9 Micro Flow Water Jets

### PUMPS

1.25 Hydropower 1-speed Pump  
1.0 Air Power Speed

### CONTROLS

Air Switch On/Off Control(s) f

### DRAINS & OVERFLOWS INFORMATION

- Bath Drain - Pop up: Polished Chrome or Brushed Nickel.
- In Floor Drain EZ Fast Connect (optional)

### FAUCET INFORMATION

- Floor mount (not included)
- Floor mount verify spout distance
- Optional Pump Access Panel (Highly Recommended)

### ADDITIONAL INFORMATION

6 1/2" or more space required to access equipment panel. Tub may also need to be shifted or optional disconnected in some situations.

Access panel equipment design and location may vary based on model. If optional access is not added, tub may not pass inspection and tub will need to be removed for service.

Your qualified installer must water test and run all equipment before leaving your home to ensure proper operation and validate warranty.

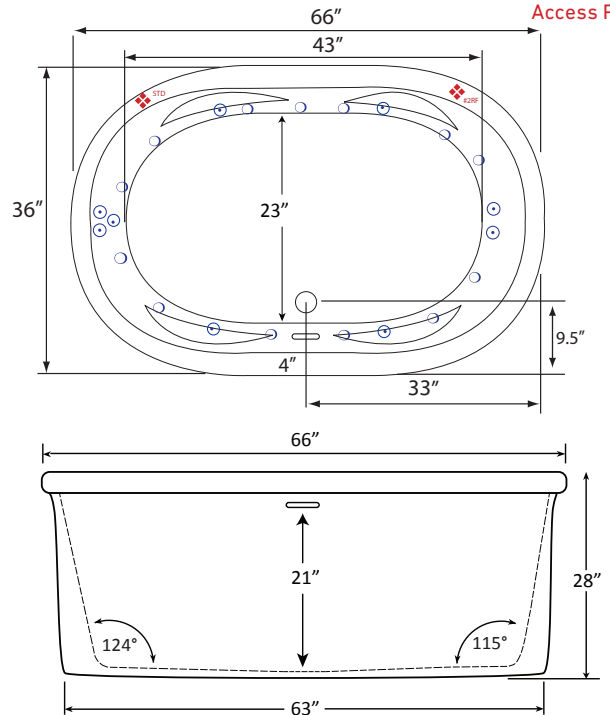
### TECHNICAL SPECIFICATIONS

End drain  
Pump Location(s): Standard or #2 RF

### ELECTRICAL REQUIREMENTS

(1) 115v 20AMP GFCI Circuits

Equipment Access Panel



Specifications and features are subject to change without notice and are + .25". All final measurements should be taken from tub on site.

HydroMassage Products LLC • 303-341-1845 • Fax: 303-341-1850 • [www.hydrmassageproducts.com](http://www.hydrmassageproducts.com)

# Oval 7236SD | Combination 21 Water & Air Massage

Product Number: BUDROC21J7236SDFS-A 72" x 36" x 28"



## STANDARD & OPTIONAL ACCESSORIES

### JETS: 21 Total

- 12 Classic Air Jets
- 9 Micro Flow Water Jets

### PUMPS

- 1.25 Hydropower 1-speed Pump
- 1.0 Air Power Speed

### CONTROLS

Air Switch On/Off Control(s) f

### DRAINS & OVERFLOWS INFORMATION

- Bath Drain - Pop up: Polished Chrome or Brushed Nickel.
- In Floor Drain EZ Fast Connect (optional)

### FAUCET INFORMATION

- Floor mount (not included)
- Floor mount verify spout distance
- Optional Pump Access Panel (Highly Recommended)

### ADDITIONAL INFORMATION

6 1/2" or more space required to access equipment panel. Tub may also need to be shifted or optional disconnected in some situations.

Access panel equipment design and location may vary based on model. If optional access is not added, tub may not pass inspection and tub will need to be removed for service.

Your qualified installer must water test and run all equipment before leaving your home to ensure proper operation and validate warranty.

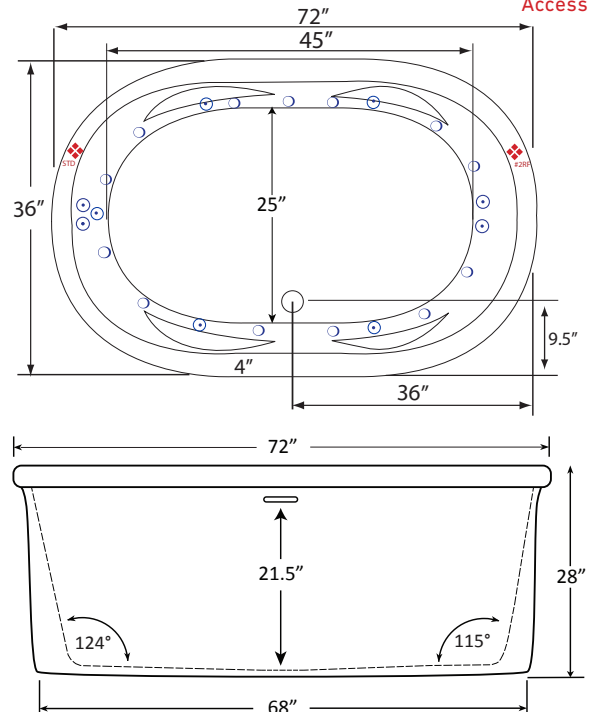
### TECHNICAL SPECIFICATIONS

Side drain  
Pump Location(s): Standard or #2RF

### ELECTRICAL REQUIREMENTS

(1) 115v 20AMP GFCI Circuits

◆ Equipment Access Panel



# Oval 7242SD | Combination 21 Water & Air Massage

Product Number: BUDROC21J7242SDFS-A 72" x 42" x 29"



## STANDARD & OPTIONAL ACCESSORIES

### JETS: 21 Total

- 12 Classic Air Jets
- 9 Micro Flow Water Jets

### PUMPS

- 1.25 Hydropower 1-speed Pump
- 1.0 Air Power Speed

### CONTROLS

Air Switch On/Off Control(s) f

### TECHNICAL SPECIFICATIONS

Side drain  
Pump Location(s): Standard or #2RF

### ELECTRICAL REQUIREMENTS

(1) 115v 20AMP GFCI Circuits

### DRAINS & OVERFLOWS INFORMATION

- Bath Drain - Pop up: Polished Chrome or Brushed Nickel.
- In Floor Drain EZ Fast Connect (optional)

### FAUCET INFORMATION

- Floor mount (not included)
- Floor mount verify spout distance
- Optional Pump Access Panel (Highly Recommended)

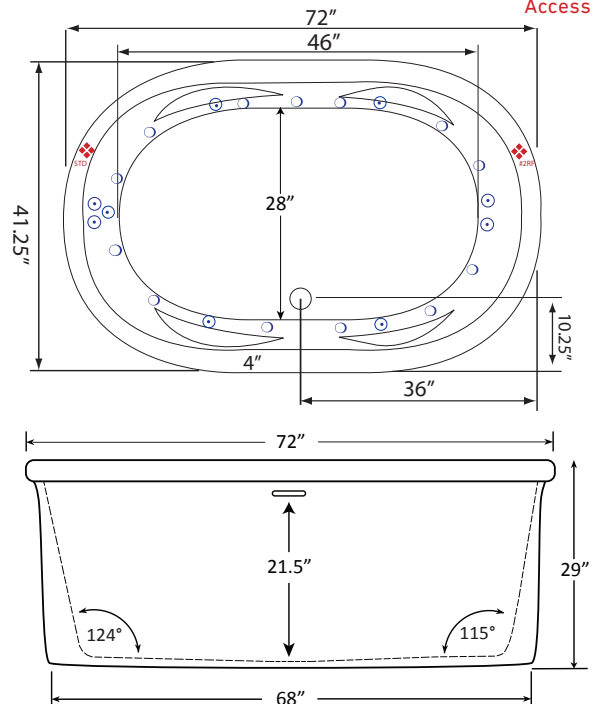
### ADDITIONAL INFORMATION

6 1/2" or more space required to access equipment panel. Tub may also need to be shifted or optional disconnected in some situations.

Access panel equipment design and location may vary based on model. If optional access is not added, tub may not pass inspection and tub will need to be removed for service.

Your qualified installer must water test and run all equipment before leaving your home to ensure proper operation and validate warranty.

◆ Equipment Access Panel





# Oval 5936ED | Water 9 Jet Massage

Product Number: BUDROH9J5936EDFS-A 59" x 36" x 26"



## STANDARD & OPTIONAL ACCESSORIES

### JETS: 9 Total

- 9 Micro Flow Water Jets

### PUMPS

1.25 Hydropower 1-speed Pump

### CONTROLS

Air Switch On/Off Control(s)

### DRAINS & OVERFLOWS INFORMATION

- Bath Drain - Pop up: Polished Chrome or Brushed Nickel
- In Floor Drain EZ Fast Connect (optional)

### FAUCET INFORMATION

- Floor mount (not included)
- Floor mount verify spout distance
- Optional Pump Access Panel (Highly Recommended)

### ADDITIONAL INFORMATION

6 1/2" or more space required to access equipment panel. Tub may also need to be shifted or optional disconnected in some situations.

Access panel equipment design and location may vary based on model. If optional access is not added, tub may not pass inspection and tub will need to be removed for service.

Your qualified installer must water test and run all equipment before leaving your home to ensure proper operation and validate warranty.

### TECHNICAL SPECIFICATIONS

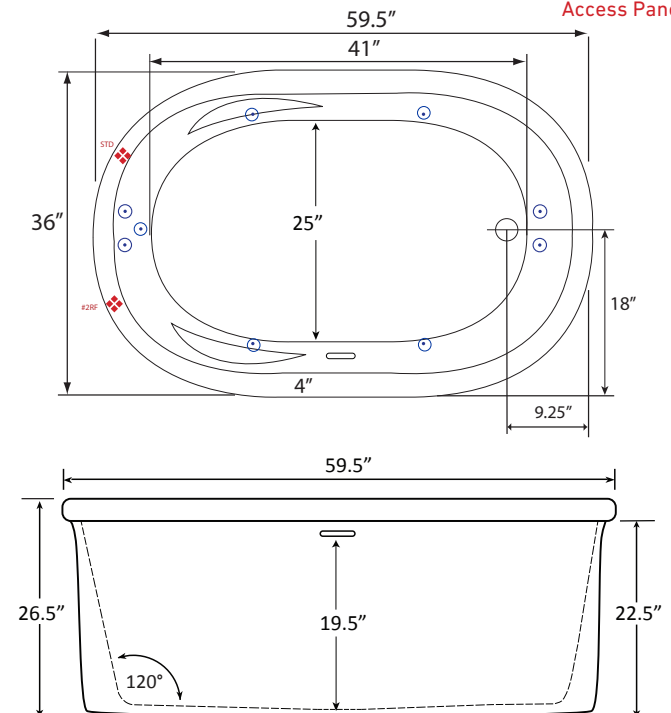
End drain

Pump Location(s): Standard and #2RF

### ELECTRICAL REQUIREMENTS

(1) 115v 20AMP GFCI Circuits

Optional  
Equipment  
Access Panel



Specifications and features are subject to change without notice and are + .25". All final measurements should be taken from tub on site.

HydroMassage Products LLC • 303-341-1845 • Fax: 303-341-1850 • [www.hydromassageproducts.com](http://www.hydromassageproducts.com)

# Oval 6636SD | Water 9 Jet Massage

Product Number: BUDROH9J6636SDFS-A 66" x 36" x 28"



## STANDARD & OPTIONAL ACCESSORIES

### JETS: 9 Total

- 9 Micro Flow Water Jets

### PUMPS

1.25 Hydropower 1-speed Pump

### CONTROLS

Air Switch On/Off Control(s)

### DRAINS & OVERFLOWS INFORMATION

- Bath Drain - Pop up: Polished Chrome or Brushed Nickel
- In Floor Drain EZ Fast Connect (optional)

### FAUCET INFORMATION

- Floor mount (not included)
- Floor mount verify spout distance
- Optional Pump Access Panel (Highly Recommended)

### ADDITIONAL INFORMATION

6 1/2" or more space required to access equipment panel. Tub may also need to be shifted or optional disconnected in some situations.

Access panel equipment design and location may vary based on model. If optional access is not added, tub may not pass inspection and tub will need to be removed for service.

Your qualified installer must water test and run all equipment before leaving your home to ensure proper operation and validate warranty.

### TECHNICAL SPECIFICATIONS

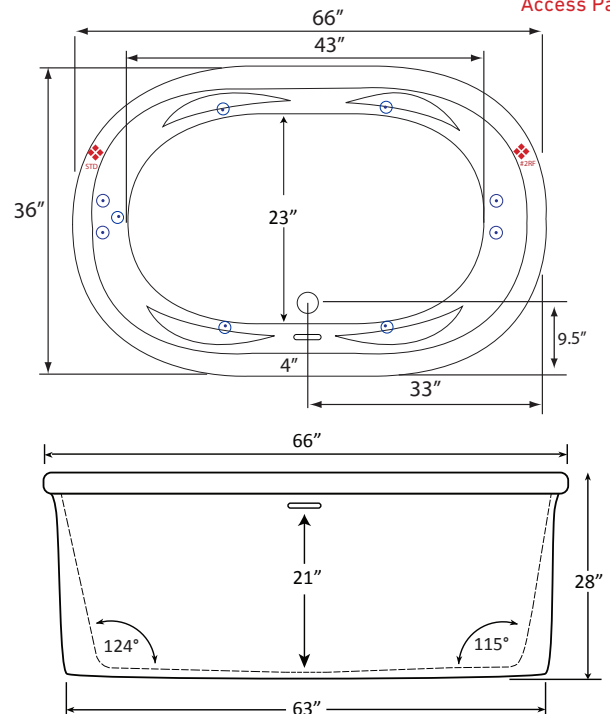
Side drain

Pump Location(s): Standard or #2RF

### ELECTRICAL REQUIREMENTS

(1) 115v 20AMP GFCI Circuits

Optional Equipment Access Panel



Specifications and features are subject to change without notice and are + .25". All final measurements should be taken from tub on site.

HydroMassage Products LLC • 303-341-1845 • Fax: 303-341-1850 • [www.hydromassageproducts.com](http://www.hydromassageproducts.com)

# Oval 7242SDP | Air 12 Jet Massage Series

Product Number: BUDTAA12J7242SDFSP-A 72" x 42" x 27"



## STANDARD & OPTIONAL ACCESSORIES

### JETS: 12 Total

- 12 Classic Air Jets

### PUMPS

1.0 Air Power

### CONTROLS

Air Switch On/Off Control(s)

### DRAINS & OVERFLOWS INFORMATION

- Bath Drain - Pop up: Polished Chrome or Brushed Nickel.
- In Floor Drain EZ Fast Connect (optional)

### FAUCET INFORMATION

- Floor mount (not included)
- Floor mount verify spout distance
- Optional Pump Access Panel (Highly Recommended)

### ADDITIONAL INFORMATION

6 1/2" or more space required to access equipment panel. Tub may also need to be shifted or optional disconnected in some situations.

Access panel equipment design and location may vary based on model. If optional access is not added, tub may not pass inspection and tub will need to be removed for service.

Your qualified installer must water test and run all equipment before leaving your home to ensure proper operation and validate warranty.

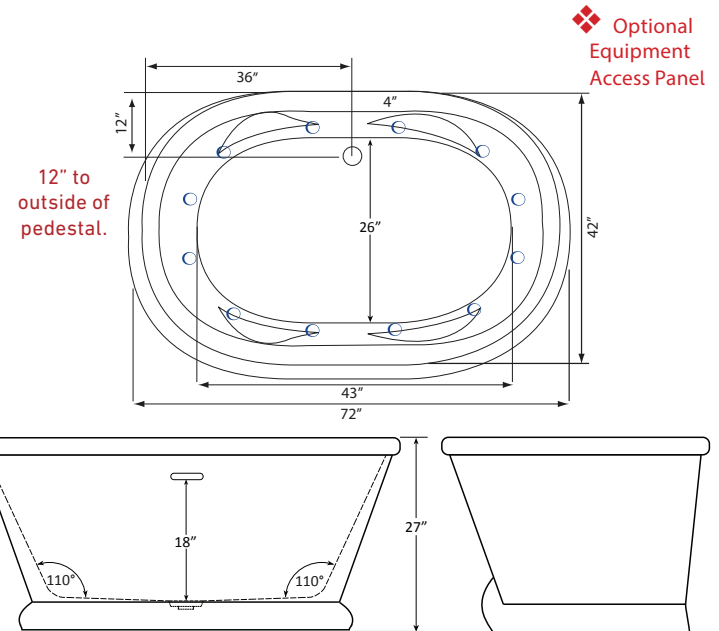
### TECHNICAL SPECIFICATIONS

Side drain

Pump Location: Standard

### ELECTRICAL REQUIREMENTS

(1) 115v 20AMP GFCI Circuits



Optional Equipment Access Panel

Decorative Pedestal is not on back side in order to accommodate equipment access. This side should be placed against wall.



Specifications and features are subject to change without notice and are + .25". All final measurements should be taken from tub on site.

HydroMassage Products LLC • 303-341-1845 • Fax: 303-341-1850 • [www.hydromassageproducts.com](http://www.hydromassageproducts.com)

# Oval 7242SDP | Combination 21 Water & Air Massage

Product Number: BUDTAC21J7242SDFSP-A 72" x 42" x 27"



## STANDARD & OPTIONAL ACCESSORIES

### JETS: 21 Total Air & Water Massage Jets

- 12 Classic Air Jets
- 9 Micro Flow Water Jets

### PUMPS

- 1.25 Hydropower 1-speed Pump
- 1.0 Air Power Speed

### CONTROLS

- Air Switch On/Off Control(s) f

### TECHNICAL SPECIFICATIONS

- Side drain
- Pump Location: Standard

### ELECTRICAL REQUIREMENTS

- (1) 115v 20AMP GFCI Circuits

### DRAINS & OVERFLOWS INFORMATION

- Bath Drain - Pop up: Polished Chrome or Brushed Nickel.
- In Floor Drain EZ Fast Connect (optional)

### FAUCET INFORMATION

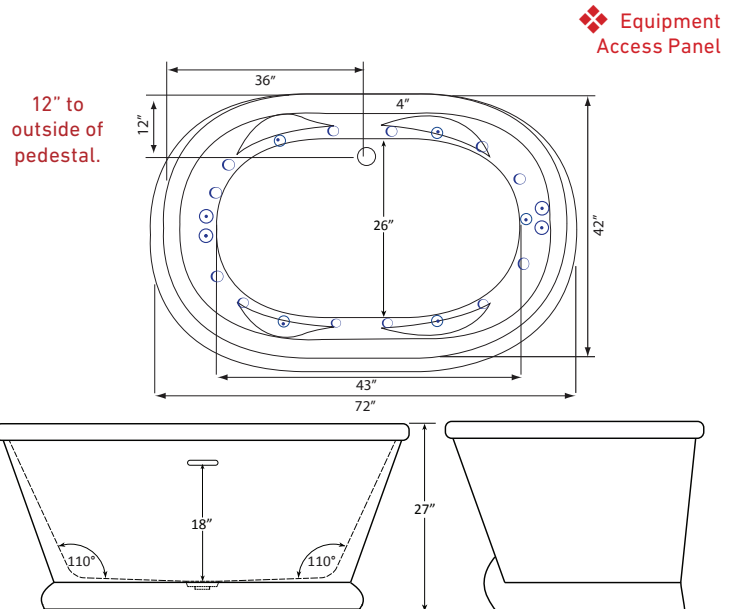
- Floor mount (not included)
- Floor mount verify spout distance
- Optional Pump Access Panel (Highly Recommended)

### ADDITIONAL INFORMATION

6 1/2" or more space required to access equipment panel. Tub may also need to be shifted or optional disconnected in some situations.

Access panel equipment design and location may vary based on model. If optional access is not added, tub may not pass inspection and tub will need to be removed for service.

Your qualified installer must water test and run all equipment before leaving your home to ensure proper operation and validate warranty.



Decorative Pedestal is not on back side in order to accommodate equipment access. This side should be placed against wall.



# Oval 7242SDP | Water 9 Jet Massage Series

Product Number: BUDTAH9J7242SDFSP-A 72" x 42" x 27"



## STANDARD & OPTIONAL ACCESSORIES

### JETS: 9 Total

- 9 Micro Flow Water Massage Jets

### PUMPS

1.25 Hydropower 1-speed Pump

### CONTROLS

Air Switch On/Off Control(s)

### DRAINS & OVERFLOWS INFORMATION

- Bath Drain - Pop up: Polished Chrome or Brushed Nickel
- In Floor Drain EZ Fast Connect (optional)

### FAUCET INFORMATION

- Floor mount (not included)
- Floor mount verify spout distance
- Optional Pump Access Panel (Highly Recommended)

### ADDITIONAL INFORMATION

6 1/2" or more space required to access equipment panel. Tub may also need to be shifted or optional disconnected in some situations.

Access panel equipment design and location may vary based on model. If optional access is not added, tub may not pass inspection and tub will need to be removed for service.

Your qualified installer must water test and run all equipment before leaving your home to ensure proper operation and validate warranty.

### TECHNICAL SPECIFICATIONS

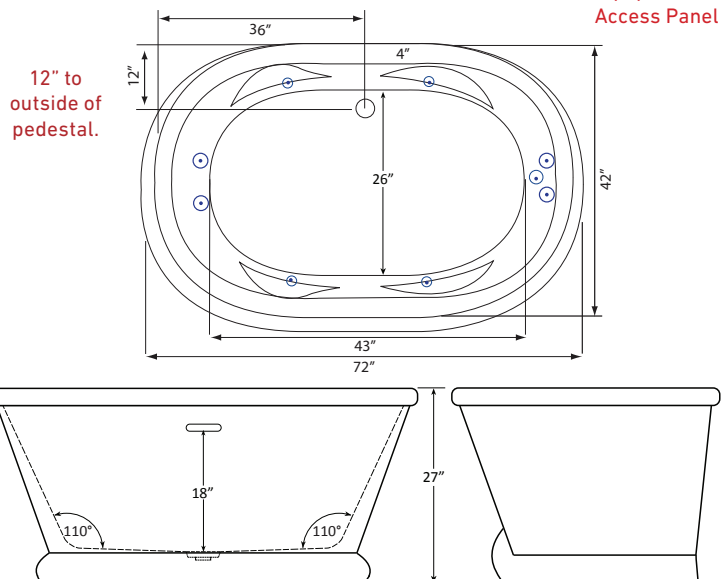
Side drain

Pump Location: Standard

### ELECTRICAL REQUIREMENTS

(1) 115v 20AMP GFCI Circuits

Optional  
Equipment  
Access Panel



Decorative Pedestal is not on back side in order to accommodate equipment access. This side should be placed against wall.



Specifications and features are subject to change without notice and are + .25". All final measurements should be taken from tub on site.

HydroMassage Products LLC • 303-341-1845 • Fax: 303-341-1850 • [www.hydromassageproducts.com](http://www.hydromassageproducts.com)

# Oval 7236SD | Water 9 Jet Massage

Product Number: BUDROH9J7236SDFS-A 72" x 36" x 28"



## STANDARD & OPTIONAL ACCESSORIES

### JETS: 9 Total

- 9 Micro Flow Water Jets

### PUMPS

1.25 Hydropower 1-speed Pump

### CONTROLS

Air Switch On/Off Control(s)

### DRAINS & OVERFLOWS INFORMATION

- Bath Drain - Pop up: Polished Chrome or Brushed Nickel
- In Floor Drain EZ Fast Connect (optional)

### FAUCET INFORMATION

- Floor mount (not included)
- Floor mount verify spout distance
- Optional Pump Access Panel (Highly Recommended)

### ADDITIONAL INFORMATION

6 1/2" or more space required to access equipment panel. Tub may also need to be shifted or optional disconnected in some situations.

Access panel equipment design and location may vary based on model. If optional access is not added, tub may not pass inspection and tub will need to be removed for service.

Your qualified installer must water test and run all equipment before leaving your home to ensure proper operation and validate warranty.

### TECHNICAL SPECIFICATIONS

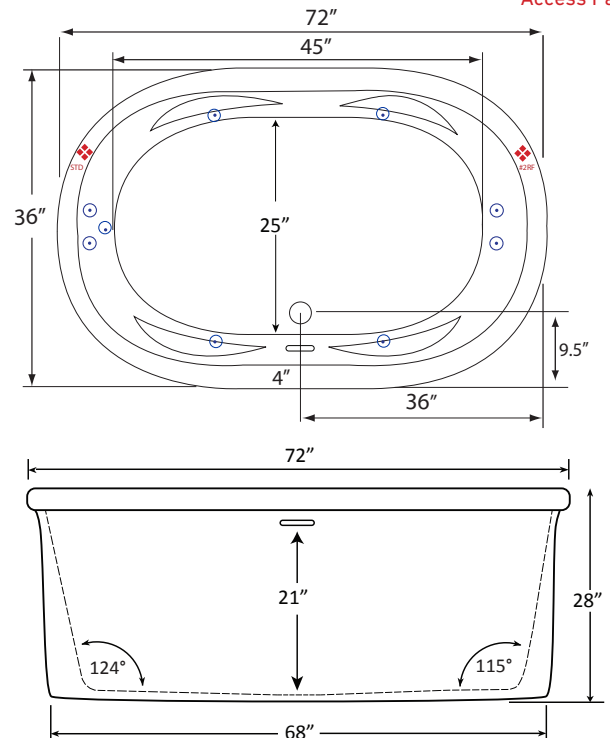
Side drain

Pump Location(s): Standard or #2RF

### ELECTRICAL REQUIREMENTS

(1) 115v 20AMP GFCI Circuits

Optional  
Equipment  
Access Panel



Specifications and features are subject to change without notice and are + .25". All final measurements should be taken from tub on site.

HydroMassage Products LLC • 303-341-1845 • Fax: 303-341-1850 • [www.hydromassageproducts.com](http://www.hydromassageproducts.com)

# Oval 5833SD | Air 12 Jet Massage Series

Product Number: BUDSRA12J5833SDFS-A 58" x 33" x 27" 



## STANDARD & OPTIONAL ACCESSORIES

### JETS: 12 Total

- 12 Classic Air Jets

**PUMPS**   
1.0 Air Power

**CONTROLS**  
Air Switch On/Off Control(s)

### DRAINS & OVERFLOWS INFORMATION

- Bath Drain - Pop up: Polished Chrome or Brushed Nickel.
- In Floor Drain EZ Fast Connect (optional)

### FAUCET INFORMATION

- Floor mount (not included)
- Floor mount verify spout distance
- Optional Pump Access Panel (Highly Recommended)

### ADDITIONAL INFORMATION

6 1/2" or more space required to access equipment panel. Tub may also need to be shifted or optional disconnected in some situations.

Access panel equipment design and location may vary based on model. If optional access is not added, tub may not pass inspection and tub will need to be removed for service.

Your qualified installer must water test and run all equipment before leaving your home to ensure proper operation and validate warranty.

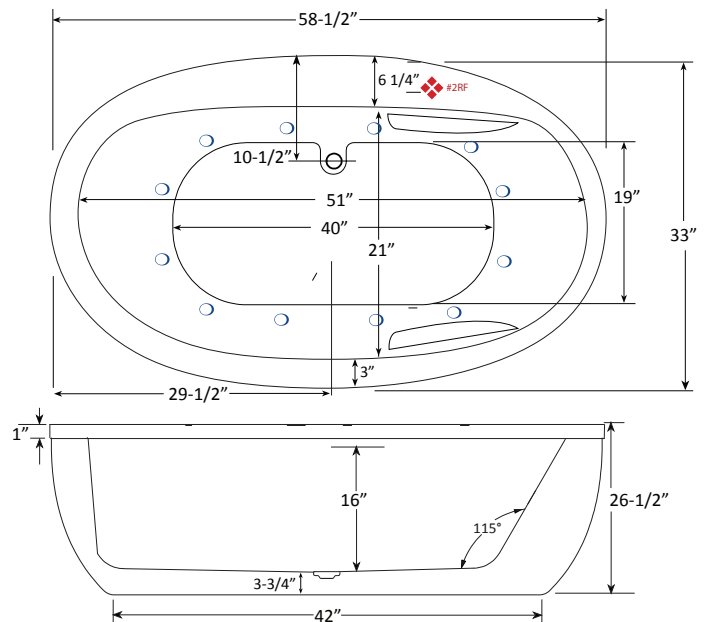
### TECHNICAL SPECIFICATIONS

Side drain  
Pump Location(s): Standard or #2RF

### ELECTRICAL REQUIREMENTS

(1) 115v 20AMP GFCI Circuits

 Optional  
Equipment  
Access Panel



# Oval 6636SD | Air 12 Jet Massage Series

Product Number: BUDSRA12J6636SDFS-A 66" x 36" x 27"



## STANDARD & OPTIONAL ACCESSORIES

### JETS: 12 Total

- 12 Classic Air Jets

**PUMPS**   
1.0 Air Power

### CONTROLS

Air Switch On/Off Control(s)

### DRAINS & OPTIONAL INFORMATION

- Bath Drain - Pop up: Polished Chrome or Brushed Nickel.
- In Floor Drain EZ Fast Connect (optional)

### FAUCET INFORMATION

- Floor mount (not included)
- Floor mount verify spout distance
- Optional Pump Access Panel (Highly Recommended)

### ADDITIONAL INFORMATION

6 1/2" or more space required to access equipment panel. Tub may also need to be shifted or optional disconnected in some situations.

Access panel equipment design and location may vary based on model. If optional access is not added, tub may not pass inspection and tub will need to be removed for service.

Your qualified installer must water test and run all equipment before leaving your home to ensure proper operation and validate warranty.

### TECHNICAL SPECIFICATIONS

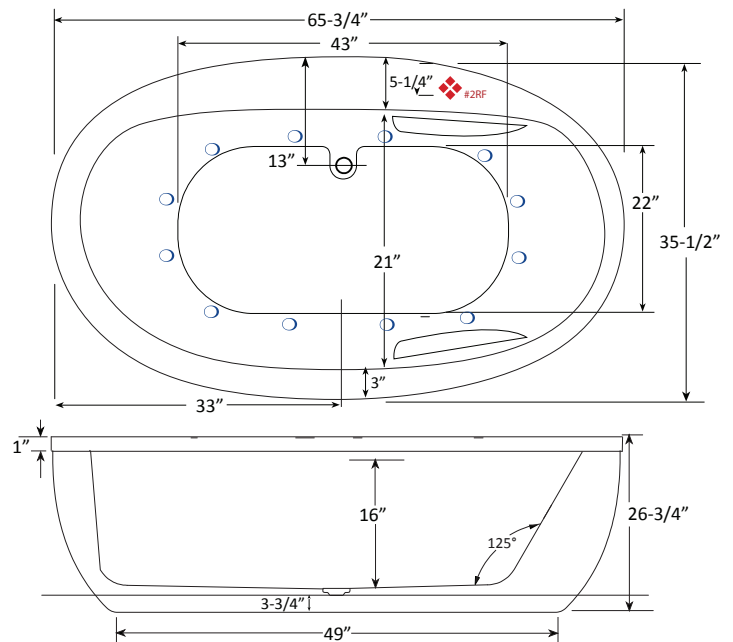
Side drain

Pump Location(s): Standard or #2RF

### ELECTRICAL REQUIREMENTS

(1) 115v 20AMP GFCI Circuits

 Optional  
Equipment  
Access Panel



Specifications and features are subject to change without notice and are + .25". All final measurements should be taken from tub on site.

HydroMassage Products LLC • 303-341-1845 • Fax: 303-341-1850 • [www.hydromassageproducts.com](http://www.hydromassageproducts.com)



# Oval 5833SD | Water 9 Jet Massage Series

Product Number: BUDSRH9J5833SDFS-A 58" x 33" x 27"



## STANDARD & OPTIONAL ACCESSORIES

### JETS: 9 Total

- 9 Micro Flow Water Massage Jets

### PUMPS

1.25 Hydropower 1-speed Pump

### CONTROLS

Air Switch On/Off Control(s)

### DRAINS & OVERFLOWS INFORMATION

- Bath Drain - Pop up: Polished Chrome or Brushed Nickel
- In Floor Drain EZ Fast Connect (optional)

### FAUCET INFORMATION

- Floor mount (not included)
- Floor mount verify spout distance
- Optional Pump Access Panel (Highly Recommended)

### ADDITIONAL INFORMATION

6 1/2" or more space required to access equipment panel. Tub may also need to be shifted or optional disconnected in some situations.

Access panel equipment design and location may vary based on model. If optional access is not added, tub may not pass inspection and tub will need to be removed for service.

Your qualified installer must water test and run all equipment before leaving your home to ensure proper operation and validate warranty.

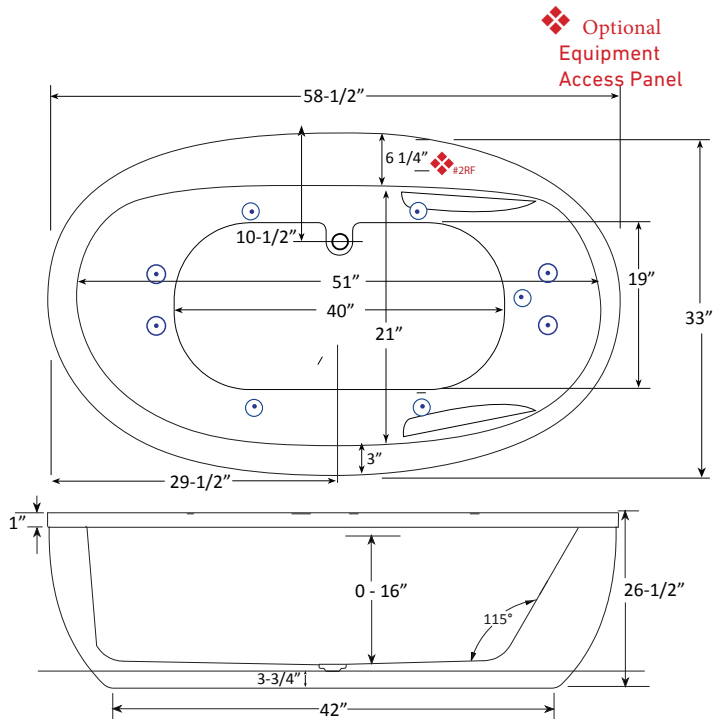
### TECHNICAL SPECIFICATIONS

Side drain.

Pump Location(s): Standard or #2RF

### ELECTRICAL REQUIREMENTS

(1) 115v 20AMP GFCI Circuits



Specifications and features are subject to change without notice and are + .25". All final measurements should be taken from tub on site.

HydroMassage Products LLC • 303-341-1845 • Fax: 303-341-1850 • [www.hydromassageproducts.com](http://www.hydromassageproducts.com)

# Oval 5833SD | Combination 21 Water & Air Massage

Product Number: BUDSRC21J5833SDFS-A 58" x 33" x 27"



## STANDARD & OPTIONAL ACCESSORIES

### JETS: 21 Total Air & Water Massage Jets

- 12 Classic Air Jets
- 9 Micro Flow Water Jets

### PUMPS

1.25 Hydropower 1-speed Pump  
1.0 Air Power Speed,

### CONTROLS

Air Switch On/Off Control(s)

### DRAINS & OVERFLOWS INFORMATION

- Bath Drain - Pop up: Polished Chrome or Brushed Nickel.
- In Floor Drain EZ Fast Connect (optional)

### FAUCET INFORMATION

- Floor mount (not included)
- Floor mount verify spout distance
- Optional Pump Access Panel (Highly Recommended)

### TECHNICAL SPECIFICATIONS

Side drain

Pump Location(s): Standard or #2RF

### ELECTRICAL REQUIREMENTS

(1) 115v 20AMP GFCI Circuits

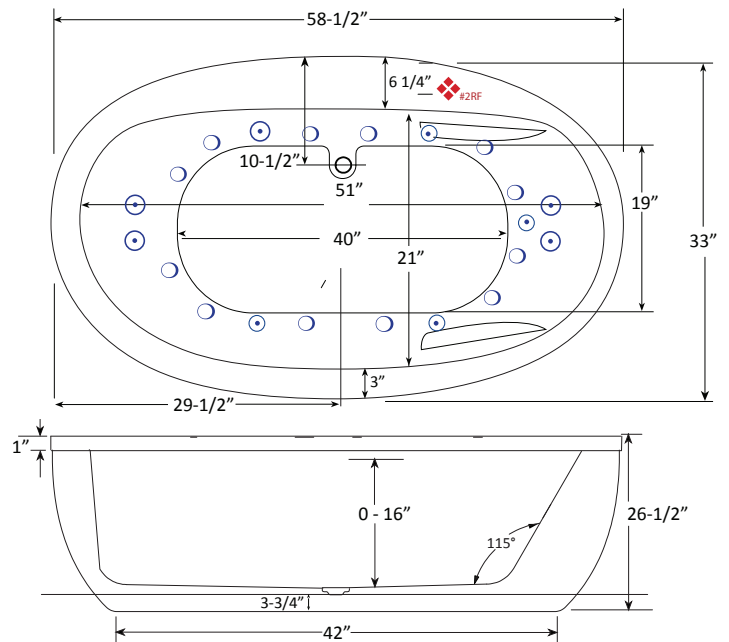
### ADDITIONAL INFORMATION

6 1/2" or more space required to access equipment panel. Tub may also need to be shifted or optional disconnected in some situations.

Access panel equipment design and location may vary based on model. If optional access is not added, tub may not pass inspection and tub will need to be removed for service.

Your qualified installer must water test and run all equipment before leaving your home to ensure proper operation and validate warranty.

◆ Equipment Access Panel



Specifications and features are subject to change without notice and are + .25". All final measurements should be taken from tub on site.

HydroMassage Products LLC • 303-341-1845 • Fax: 303-341-1850 • [www.hydromassageproducts.com](http://www.hydromassageproducts.com)

# Oval 6636SD | Combination 21 Water & Air Massage

Product Number: BUDSRC21J6636SDFS-A 66" x 36" x 27"



## STANDARD & OPTIONAL ACCESSORIES

### JETS: 21 Total Air & Water Massage Jets

- 12 Classic Air Jets
- ⦿ 9 Micro Flow Water Jets

### PUMPS

- 1.25 Hydropower 1-speed Pump
- 1.0 Air Power Speed

### CONTROLS

Air Switch On/Off Control(s) f

### DRAINS & OVERFLOWS INFORMATION

- Bath Drain - Pop up: Polished Chrome or Brushed Nickel.
- In Floor Drain EZ Fast Connect (optional)

### FAUCET INFORMATION

- Floor mount (not included)
- Floor mount verify spout distance
- Optional Pump Access Panel (Highly Recommended)

### ADDITIONAL INFORMATION

6 1/2" or more space required to access equipment panel. Tub may also need to be shifted or optional disconnected in some situations.

Access panel equipment design and location may vary based on model. If optional access is not added, tub may not pass inspection and tub will need to be removed for service.

Your qualified installer must water test and run all equipment before leaving your home to ensure proper operation and validate warranty.

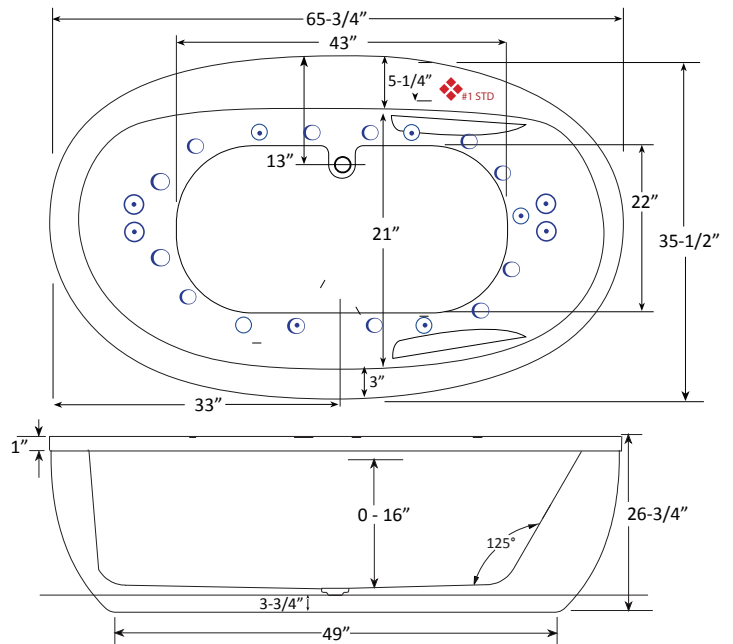
### TECHNICAL SPECIFICATIONS

Side drain  
Pump Location(s): Standard #1

### ELECTRICAL REQUIREMENTS

(1) 115v 20AMP GFCI Circuits

◆ Equipment Access Panel



Specifications and features are subject to change without notice and are + .25". All final measurements should be taken from tub on site.

HydroMassage Products LLC • 303-341-1845 • Fax: 303-341-1850 • [www.hydromassageproducts.com](http://www.hydromassageproducts.com)

# Oval 6636SD | H9 Water Massage Series

Product Number: BUDSRH9J6636SDFS-A 66" x 36" x 27"



## STANDARD & OPTIONAL ACCESSORIES

### JETS: 9 Total

- Micro Flow Water Massage Jets

### PUMPS

1.25 Hydropower 1-speed Pump

### CONTROLS

Air Switch On/Off Control(s)

### DRAINS & OVERFLOWS INFORMATION

- Bath Drain - Pop up: Polished Chrome or Brushed Nickel
- In Floor Drain EZ Fast Connect (optional)

### FAUCET INFORMATION

- Floor mount (not included)
- Floor mount verify spout distance
- Optional Pump Access Panel (Highly Recommended)

### ADDITIONAL INFORMATION

6 1/2" or more space required to access equipment panel. Tub may also need to be shifted or optional disconnected in some situations.

Access panel equipment design and location may vary based on model. If optional access is not added, tub may not pass inspection and tub will need to be removed for service.

Your qualified installer must water test and run all equipment before leaving your home to ensure proper operation and validate warranty.

### TECHNICAL SPECIFICATIONS

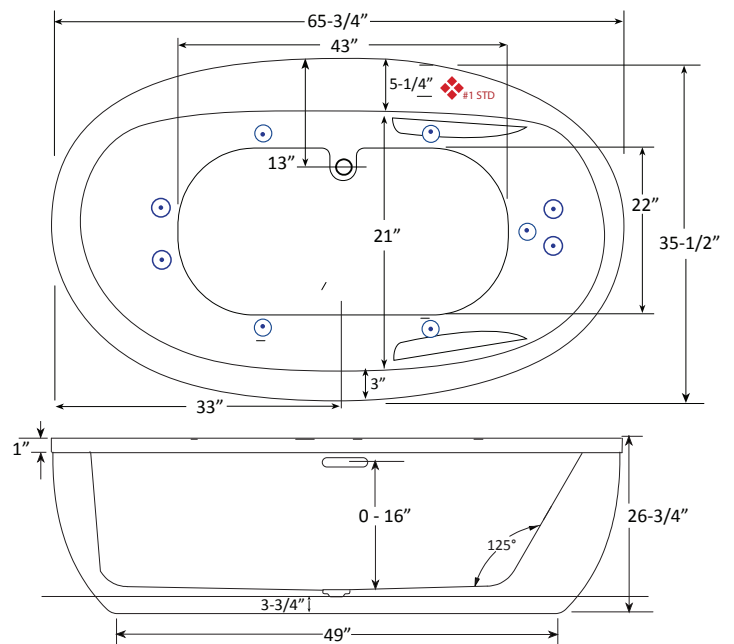
Side drain.

Pump Location(s): Standard #1

### ELECTRICAL REQUIREMENTS

(1) 115v 20AMP GFCI Circuits

Optional  
Equipment  
Access Panel



Specifications and features are subject to change without notice and are + .25". All final measurements should be taken from tub on site.

HydroMassage Products LLC • 303-341-1845 • Fax: 303-341-1850 • [www.hydromassageproducts.com](http://www.hydromassageproducts.com)

# Oval 7242SD | Water 9 Jet Massage

Product Number: BUDROH9J7242SDFS-A 72" x 42" x 28"



## STANDARD & OPTIONAL ACCESSORIES

### JETS: 9 Total

- 9 Micro Flow Water Jets

### PUMPS

1.25 Hydropower 1-speed Pump

### CONTROLS

Air Switch On/Off Control(s)

### DRAINS & OVERFLOWS INFORMATION

- Bath Drain - Pop up: Polished Chrome or Brushed Nickel
- In Floor Drain EZ Fast Connect (optional)

### FAUCET INFORMATION

- Floor mount (not included)
- Floor mount verify spout distance
- Optional Pump Access Panel (Highly Recommended)

### ADDITIONAL INFORMATION

6 1/2" or more space required to access equipment panel. Tub may also need to be shifted or optional disconnected in some situations.

Access panel equipment design and location may vary based on model. If optional access is not added, tub may not pass inspection and tub will need to be removed for service.

Your qualified installer must water test and run all equipment before leaving your home to ensure proper operation and validate warranty.

### TECHNICAL SPECIFICATIONS

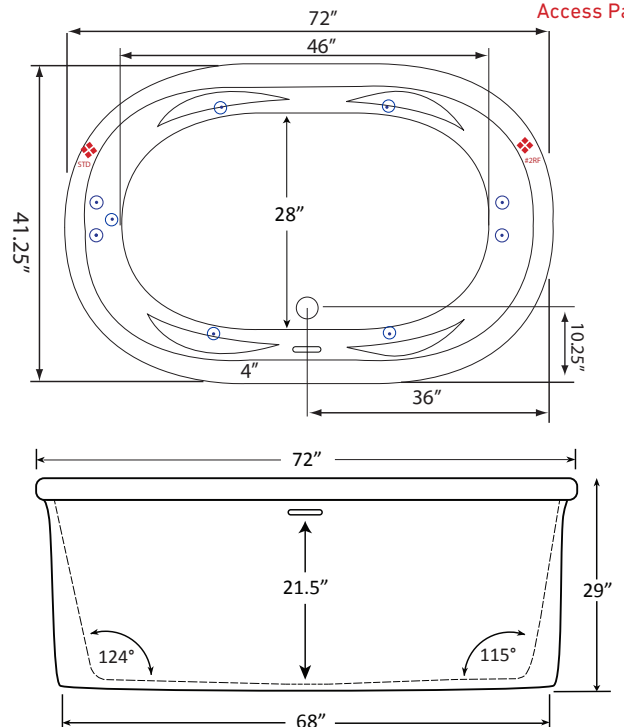
Side drain

Pump Location(s): Standard or #2 RF

### ELECTRICAL REQUIREMENTS

(1) 115v 20AMP GFCI Circuits

Optional Equipment Access Panel



Specifications and features are subject to change without notice and are + .25". All final measurements should be taken from tub on site.

HydroMassage Products LLC • 303-341-1845 • Fax: 303-341-1850 • www.hydromassageproducts.com