

Avery 6939 | Bathtub Only

Product Number: AVT06939CDFS 69" x 39" x 23"



STANDARD & OPTIONAL ACCESSORIES

DRAINS & OVERFLOWS INFORMATION

- Overflow: Integral Linear: Included- Polished Chrome or Brushed Nickel.
- Bath Drain: Pop up: Included- Polished Chrome or Brushed Nickel.
- In Floor Drain EZ Fast Connect (optional)



FAUCET INFORMATION

- Floor mount – verify spout distance (not included)

TECHNICAL SPECIFICATIONS

Center drain

OPTIONAL

- Chromatherapy
- Underwater light
- Deluxe cushion pillow
- Sushi body cushion pillow
- Cozy heated back rest

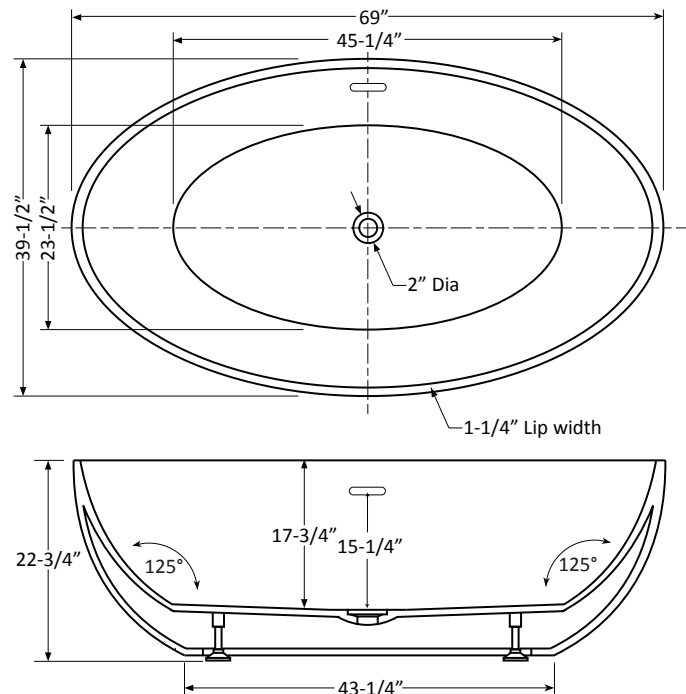


Some optional items above will require an electrical circuit and access panel. Not all options available on all models. Check price sheet to verify.

ADDITIONAL INFORMATION

Access panel equipment design and location may vary based on model.

Your licensed installer must water test and run all equipment before leaving your home to ensure proper operation and validate warranty.



Specifications and features are subject to change without notice and are + .25". All final measurements should be taken from tub on site.
HydroMassage Products LLC • 303-341-1845 • Fax: 303-341-1850 • www.hydromassageproducts.com