

# Escape ESSS6042SKTF 60" x 42" x 22"

PRODUCT NUMBER: ESSS6042SKTF-LH & ESSS6042SKTF-RH 

SOOTHING SOAK SERIES

*Hydro Massage*  
Your Health ... Our Passion

TECHNICAL SPECIFICATIONS	
Drain	End drain
Pump Configuration: Select 1	Std. = Standard / Alt LF/RF Optional
Bath Weight (empty)	175 lbs
Gallons to Operate	50-68
ELECTRICAL SPECIFICATIONS	
Motor/Pump	(1) 115v 20AMP GFCI Circuits
Inline Stainless Steel Heater	N/A

BATHERS: 1	
INSTALLATION	
	DECK (D)
	UNDER MOUNT (U)
•	ALCOVE (A)
	FREESTANDING (F)
	CLAWFOOT (L)
	PEDESTAL (P)



## STANDARD FEATURES & ACCESSORIES for SOOTHING SOAK SERIES BATHS \_\_\_\_\_

### PUMPS

WhisperFlo Heat Pump  
Quiet Pad Anti-Vibration Mounted Pump

### CONTROLS

Air Switch On/Off Control(s) for hydro pump

### PURITY

HydroCleanse

### STANDARD ACCESSORIES

EZ Clean Cast Acrylic  
FDA Recipe Non-Toxic Food & Beverage Grade Plumbing (primarily)  
30 Point Quality Assurance Factory Test  
EZ level Adjustable Legs  
Integral Tile Flange

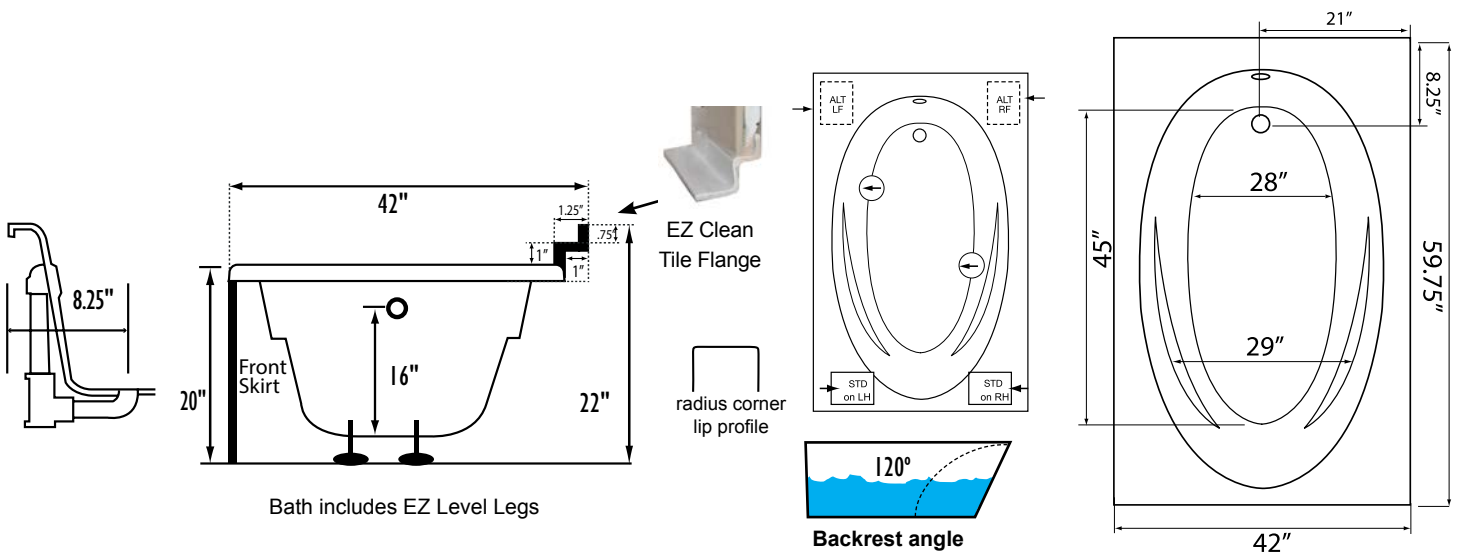
### REQUIREMENTS

Pump Locations: Select 1  
Electrical: one 115v 20amp GFCI Circuits  
**Tub should not be supported by the lip in any way. Level tub & screw or glue EZ Level adjustable legs to sub floor.**  
**CUT OUT DIMENSIONS:**  
**OVALS:** A template will be provided  
**RECTANGLES:** Subtract 1" to 1.5" from length & width for hole cut out size

**EZ CLEAN CAST ACRYLIC LIMITED LIFETIME WARRANTY**  **us ANSI**

## OPTIONAL FEATURES & ACCESSORIES

(Please type in the box below)



Some standard & most alternate pump locations may stickout past perimeter of the bath 1"-3". NOTE: Graphics may not be to scale. Specifications and features are subject to change without notice and are ± .25". All final measurements should be taken from tub on site. Access 18"x 18" or larger is required for each pump. Consult your contractor for installation requirements.