

# Escape ESCG6636SKTF 66" x 36" x 22"

PRODUCT NUMBER: ESCG6636SKTF-LH & ESCG6636SKTF-RH 

COMBINATION GOLD SERIES

*Hydro Massage*  
Your Health ... Our Passion

| TECHNICAL SPECIFICATIONS      |                                      |
|-------------------------------|--------------------------------------|
| Drain                         | End drain                            |
| Pump Location(s): Select 2    | Std. = Standard / Alt LF/RF Optional |
| Bath Weight (empty)           | 135 lbs                              |
| Gallons to Operate            | 57-75                                |
| ELECTRICAL SPECIFICATIONS     |                                      |
| Motor/Pump                    | (2) 115v 20AMP GFCI Circuits         |
| Inline Stainless Steel Heater | (1) 115v 20AMP GFCI Circuit          |

| BATHERS: 1   |                  |
|--------------|------------------|
| INSTALLATION |                  |
|              | DECK (D)         |
|              | UNDER MOUNT (U)  |
| •            | ALCOVE (A)       |
|              | FREESTANDING (F) |
|              | CLAWFOOT (L)     |
|              | PEDESTAL (P)     |

Jet & Control placement may vary







Skirt & Tile Flange - Access Panel with screws & caps



## STANDARD FEATURES & ACCESSORIES for COMBINATION GOLD SERIES BATHS

### JETS

- 30 Air & Water Massage Jets
- Back Massage System(s) (6 Jets)
- Sole Soother Jets 
- Accumassage Back & Neck Jets 
- Ultra Flow Jets 
- Classic Air Jets 

### PUMPS

- 1- 3.25 Hydropower 3-speed Pump
- 1.25 Air Power Variable Speed, Pulse & Wave heated Air Pump
- Quiet Pad Anti-Vibration Mounted Pump

### HEATERS

- Stainless Steel Electric Heater
- Warm Back Rest Tubing Zone

### CONTROLS

- Air Switch On/Off Control(s) For Hydro Pump & Chromatherapy Lighting
- Electronic Variable Speed Air Massage Control
- Automatic Purge & Dry Cycle Control
- 3 Speed Massage: High, Medium or Low

### PURITY

- HydroClean Water Purity System
- HydroCleanse

### STANDARD ACCESSORIES

- Grab Bar(s) -2 on End Drain baths - White, Biscuit, Bone, Brushed Nickel, Polished Chrome
- Chromatherapy Lighting
- Deluxe Cable Drain - White, Biscuit, Bone, Brushed Nickel, Oil Rubbed Bronze, Polished Chrome
- Deluxe Cushion Pillow
- Integral Tile Flange
- EZ Level Base
- FDA Recipe Non-Toxic Food & Beverage Grade Plumbing (primarily)
- 30 Point Quality Assurance Factory Test


### REQUIREMENTS

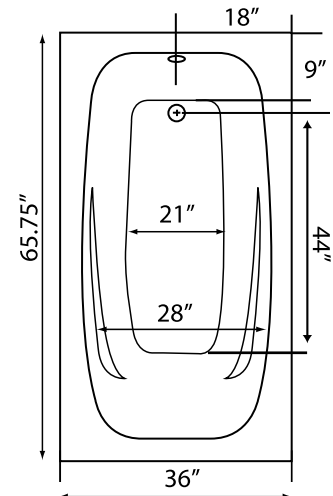
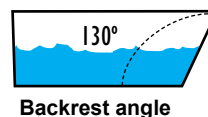
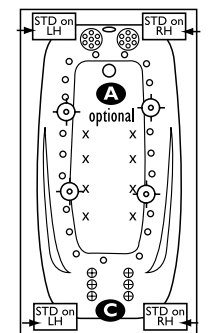
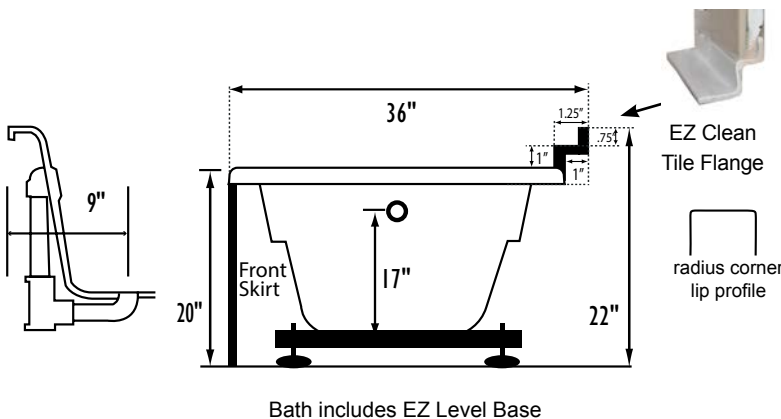
- Pump Locations: Select 2
- Electrical: three 115v 20amp GFCI Circuits
- Drain and Grab Bars: Select Color / Finish
- Tub should not be supported by the lip in any way. Level tub & screw or glue adjustable legs to sub floor.**
- CUT OUT DIMENSIONS:**
  - OVALS:** A template will be provided
  - RECTANGLES:** Subtract 1" to 1.5" from length & width for hole cut out size

**EZ CLEAN CAST ACRYLIC LIMITED LIFETIME WARRANTY** 

### OPTIONAL FEATURES & ACCESSORIES

(Please type in the box below)

- A** X **HTT® Leg Therapy Air Massage System** includes 10 Air Jets on the floor. Optional on Combo Plat and Combo Gold Series
- B** X **6 Jet HTT® Back Massage System:** N/A on Combo Series-Standard on Plat series
- C**  **Warm Back Tubing Zone**



Some standard & most alternate pump locations may stickout past perimeter of the bath 1"-3". NOTE: Graphics may not be to scale. Specifications and features are subject to change without notice and are ± .25". All final measurements should be taken from tub on site. Access 18"x 18" or larger is required for each pump. Consult your contractor for installation requirements.