

# Escape ESR6042SKTF 60" x 42" x 22"

PRODUCT NUMBER: ESR6042SKTF-LH & ESR6042SKTF-RH 

ReVive Silver Oxygen Soak Series

*Hydro Massage*  
Your Health ... Our Passion

TECHNICAL SPECIFICATIONS	
Drain	End drain
Pump Configuration: Select 1	Std. = Standard / Alt LF/RF Optional
Bath Weight (empty)	175 lbs
Gallons to Operate	50-68
ELECTRICAL SPECIFICATIONS	
Motor/Pump	(1) 115v 20AMP GFCI Circuits

BATHERS: 1	
INSTALLATION	
	DECK (D)
	UNDER MOUNT (U)
•	ALCOVE (A)
	FREESTANDING (F)
	CLAWFOOT (L)
	PEDESTAL (P)



## STANDARD FEATURES & ACCESSORIES

### PUMPS

Oxygen Pressure Pump  
Quiet Pad Anti-Vibration Mounted Pump

### CONTROLS

Air Switch On/Off Control(s) for hydro pump

### PURITY

HydroCleanse

### STANDARD ACCESSORIES

EZ Clean Cast Acrylic  
FDA Recipe Non-Toxic Food & Beverage Grade Plumbing (primarily)  
30 Point Quality Assurance Factory Test  
EZ level Adjustable Legs  
Integral Tile Flange

### OPTIONAL FEATURES & ACCESSORIES

Hair & Facial Wand

### REQUIREMENTS

Pump Locations: Select 1

Electrical: one 115v 20amp GFCI Circuits

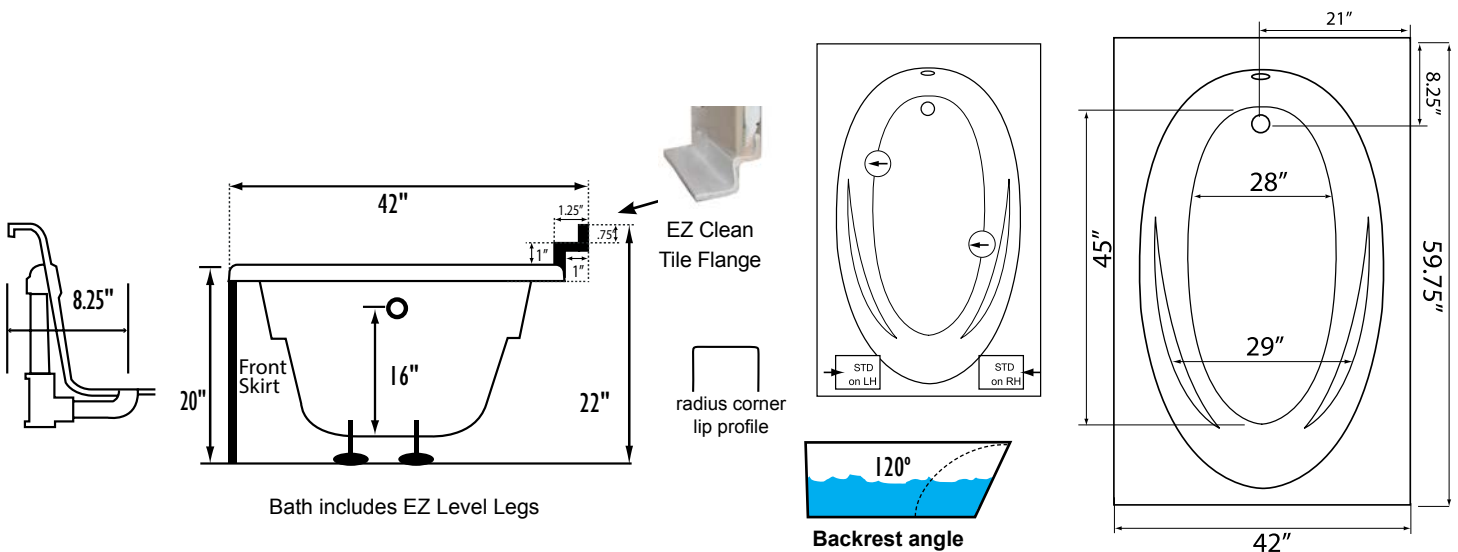
**Tub should not be supported by the lip in any way. Level tub & screw or glue EZ Level adjustable legs to sub floor.**

#### CUT OUT DIMENSIONS:

**OVALS:** A template will be provided

**RECTANGLES:** Subtract 1" to 1.5" from length & width for hole cut out size

**EZ CLEAN CAST ACRYLIC LIMITED LIFETIME WARRANTY**  **us ANSI**



Some standard & most alternate pump locations may stickout past perimeter of the bath 1"-3". NOTE: Graphics may not be to scale. Specifications and features are subject to change without notice and are ± .25". All final measurements should be taken from tub on site. Access 18"x 18" or larger is required for each pump. Consult your contractor for installation requirements.