

Isabel 5931 | Bathtub Only

Product Number: IST05931FS-A 59" x 31" x 29"



STANDARD & OPTIONAL ACCESSORIES

DRAINS & OVERFLOWS INFORMATION

- Overflow: Integral Round: Included- Polished Chrome.
Optional-White, Biscuit, Black, Brushed Nickel, Polished Nickel, Oil Rubbed Bronze.
- Bath Drain: Pop up: Included- Polished Chrome.
Optional-White, Biscuit, Black, Brushed Nickel, Polished Nickel, Oil Rubbed Bronze.
- In Floor Drain EZ Fast Connect (optional)

FAUCET INFORMATION

- Deck Mount or Floor mount
- Access Panel required for Deck faucet (optional)
- Floor mount verify spout distance

OPTIONAL

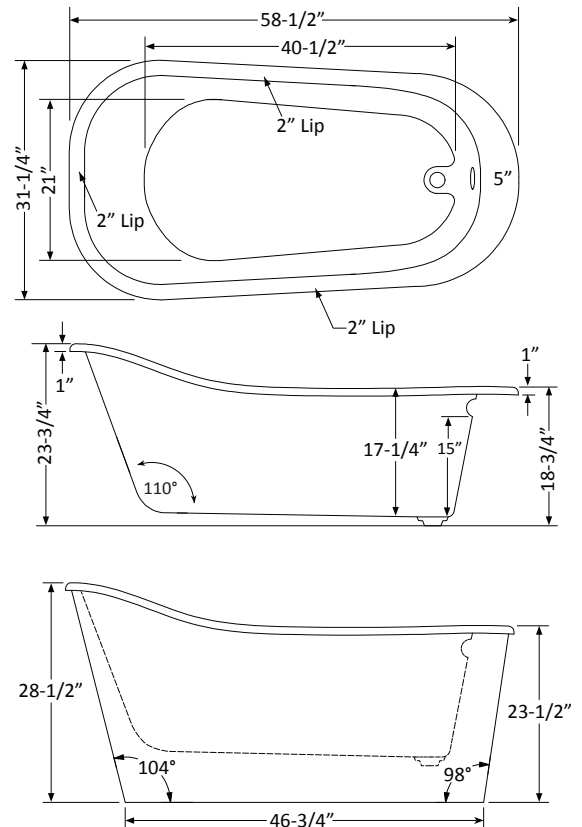
- Chromatherapy
- Mood light
- Deluxe cushion pillow
- Sushi body cushion pillow
- Cozy heated back rest

Some optional items above will require an electrical circuit and access panel. Not all options available on all models. Check price sheet to verify.



TECHNICAL SPECIFICATIONS

End drain



Specifications and features are subject to change without notice and are + .25". All final measurements should be taken from tub on site.
HydroMassage Products LLC • 303-341-1845 • Fax: 303-342-1850 • www.hydromassageproducts.com