

# Mystique MYHP6032SKTF 60" x 32" x 22"

PRODUCT NUMBER: MYHP6032SKTF-LH & MYHP6032SKTF-RH 

HYDRO PLATINUM SERIES

*Hydro Massage*  
Your Health Our Passion

TECHNICAL SPECIFICATIONS	
Drain	End drain
Pump Location(s): Select 2	Std. = Standard / Alt LF/RF Optional
Bath Weight (empty)	155 lbs
Gallons to Operate	38-56
ELECTRICAL SPECIFICATIONS	
Motor/Pump	(2) 115v 20AMP GFCI Circuits
Inline Stainless Steel Heater	(1) 115v 20AMP GFCI Circuit

BATHERS: 1	
INSTALLATION	
	DECK (D)
	UNDER MOUNT (U)
•	ALCOVE (A)
	FREESTANDING (F)
	CLAWFOOT (L)
	PEDESTAL (P)

Jet & Control placement may vary




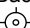


Skirt & Tile Flange - Integral skirt with velcro access panel



## STANDARD FEATURES & ACCESSORIES for HYDRO PLATINUM SERIES BATHS \_\_\_\_\_

### JETS

15 Water Jets  
 Back Massage System(s) (7 Jets)  
 Neck Massage Pillow (2 Jets)   
 Sole Soother Jet(s)   
 Accumassage Back, Neck   
 Ultra Flow Jets 

### PUMPS

Two 2.25 Hydropower 3-speed Pump (End Drain Tubs)  
 Quiet Pad Anti-Vibration Mounted Pump

### HEATERS

Stainless Steel Electric Heater

### CONTROLS

Air Switch On/Off Control(s) For Chromotherapy Lighting  
 3 Speed Massage: High, Medium or Low

### PURITY

HydroClean Water Purity System  
 HydroCleanse

### STANDARD ACCESSORIES

Grab Bar(s) - 2 on End Drain baths - White, Biscuit, Bone, Brushed Nickel, Polished Chrome  
 Chromotherapy Lighting  
 Deluxe Cable Drain - White, Biscuit, Bone, Brushed Nickel, Oil Rubbed Bronze, Polished Chrome,  
 Deluxe Cushion Pillow on two person baths  
 Neck Massage Pillow  
 Integral Tile Flange  
 EZ Level Base or Bar(s) on Skirted Tubs  
 FDA Recipe Non-Toxic Food & Beverage Grade Plumbing (primarily)  
 30 Point Quality Assurance Factory Test

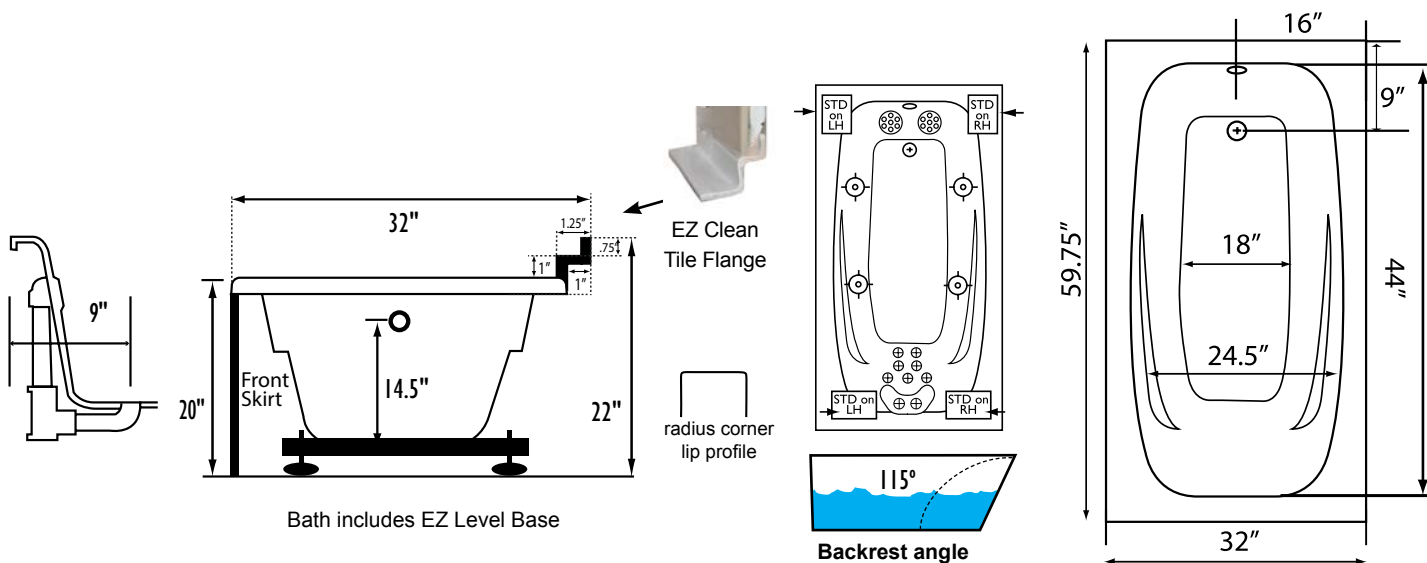
### REQUIREMENTS

Pump Locations: Select 2  
 Electrical: three 115v GFCI Circuits  
 Drain and Grab Bars: Select Color / Finish  
**Tub should not be supported by the lip in any way. Level tub & screw or glue EZ Level adjustable legs to sub floor.**  
**CUT OUT DIMENSIONS:**  
**OVALS:** A template will be provided  
**RECTANGLES:** Subtract 1" to 1.5" from length & width for hole cut out size

**EZ CLEAN CAST ACRYLIC**  
**LIMITED LIFETIME WARRANTY** 

### OPTIONAL FEATURES & ACCESSORIES

(Please type in the box below)



Some standard & most alternate pump locations may stick out past perimeter of the bath 1"-3". NOTE: Graphics may not be to scale. Specifications and features are subject to change without notice and are ± .25". All final measurements should be taken from tub on site. Access 18"x 18" or larger is required for each pump. Consult your contractor for installation requirements.