

Mystique MYRS6632SKTF 66" x 32" x 22"

PRODUCT NUMBER: MYRS6632SKTF-LH & MYSS6632SKTF-RH 

ReVive Silver Oxygen Soak Series

Hydro Massage
Your Health ... Our Passion

TECHNICAL SPECIFICATIONS	
Drain	End drain
Pump Location(s): Select 1	Std. = Standard / Alt LF/RF Optional
Bath Weight (empty)	165 lbs
Gallons to Operate	41-59
ELECTRICAL SPECIFICATIONS	
Motor/Pump	(1) 115v 20AMP GFCI Circuits

BATHERS: 1	
INSTALLATION	
	DECK (D)
	UNDER MOUNT (U)
•	ALCOVE (A)
	FREESTANDING (F)
	CLAWFOOT (L)
	PEDESTAL (P)



Skirt & Tile Flange
- Integral skirt with velcro access panel



STANDARD FEATURES & ACCESSORIES

PUMPS

Oxygen Pressure Pump
Quiet Pad Anti-Vibration Mounted Pump

CONTROLS

Air Switch On/Off Control(s) for hydro pump

PURITY

HydroCleanse

STANDARD ACCESSORIES

EZ Clean Cast Acrylic
FDA Recipe Non-Toxic Food & Beverage Grade Plumbing (primarily)
30 Point Quality Assurance Factory Test
EZ level Adjustable Legs
Integral Tile Flange

OPTIONAL FEATURES & ACCESSORIES

Hair and Facial Wand

REQUIREMENTS

Pump Locations: Select 1

Electrical: one 115v 20amp GFCI Circuits

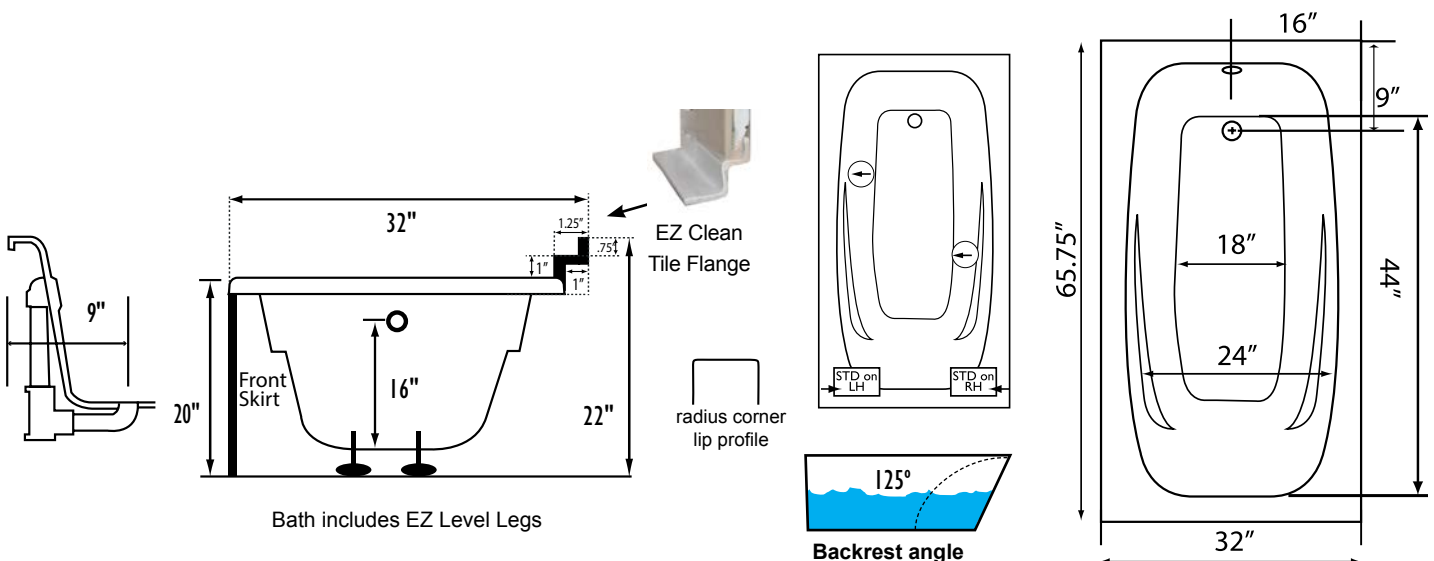
Tub should not be supported by the lip in any way. Level tub & screw or glue EZ Level adjustable legs to sub floor.

CUT OUT DIMENSIONS:

OVALS: A template will be provided

RECTANGLES: Subtract 1" to 1.5" from length & width for hole cut out size

EZ CLEAN CAST ACRYLIC
LIMITED LIFETIME WARRANTY  **us ANSI**



Some standard & most alternate pump locations may stickout past perimeter of the bath 1"-3". NOTE: Graphics may not be to scale. Specifications and features are subject to change without notice and are $\pm .25"$. All final measurements should be taken from tub on site. Access 18"x 18" or larger is required for each pump. Consult your contractor for installation requirements.