

# Ovale 6636CD | Bathtub Only

Product Number: OVT06636CDFS 66" x 36" x 25"



## STANDARD & OPTIONAL ACCESSORIES

### DRAINS & OVERFLOWS INFORMATION

- Overflow: Integral Round: Included- Polished Chrome or Brushed Nickel.  
**Optional** - White, Biscuit, Black, Polished Nickel, Oil Rubbed Bronze.
- Bath Drain: Pop up: Included- Polished Chrome or Brushed Nickel.  
**Optional** - White, Biscuit, Black, Polished Nickel, Oil Rubbed Bronze.
- In Floor Drain EZ Fast Connect (**optional**)

### FAUCET INFORMATION

- Deck Mount or Floor mount (not included)
- Access Panel recommended for Deck faucet (**optional**)
- Floor mount verify spout distance

### STANDARD ACCESSORIES

EZ Level Base • FDA Recipe Non-Toxic Food & Beverage Grade Plumbing (primarily) • 30 Point Quality Assurance Factory Test

### OPTIONAL

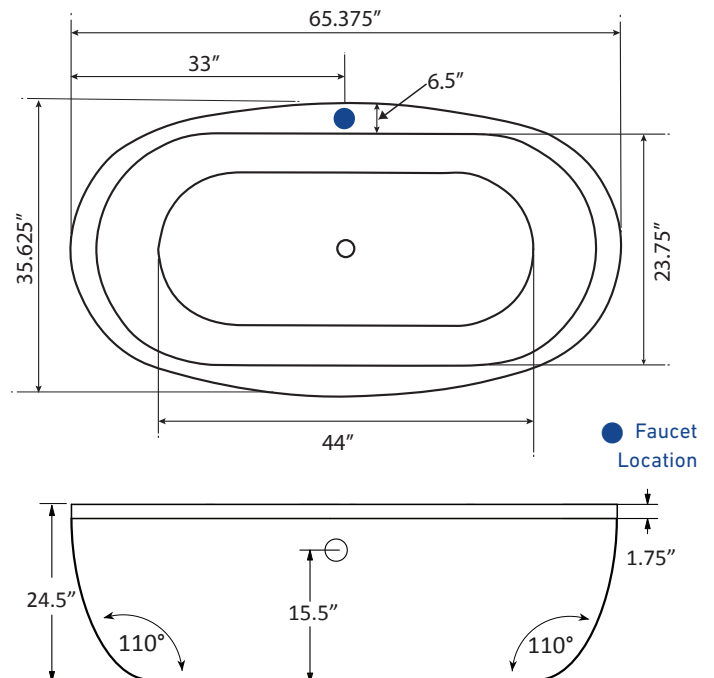
- Chromatherapy
- Underwater light
- Deluxe cushion pillow
- Sushi body cushion pillow
- Cozy heated back rest

Some optional items above will require an electrical circuit and access panel. Not all options available on all models. Check price sheet to verify.



### TECHNICAL SPECIFICATIONS

Center drain.



Specifications and features are subject to change without notice and are + .25". All final measurements should be taken from tub on site.

HydroMassage Products LLC • 303-341-1845 • Fax: 303-341-1850 • [www.hydromassageproducts.com](http://www.hydromassageproducts.com)