

Rosabella 5936ED Drop In Bath | Air A34 Massage

Product Number: ROA34J5936ED 59" x 36" x 25"



STANDARD & OPTIONAL ACCESSORIES

JETS: 34 Total

- X 18 EZ Clean HTT Air Leg Jets
- X 6 EZ Clean HTT Air Back Jets
- X 10 EZ Clean HTT Leg Therapy Air Massage Floor Jets

PUMPS

1.25 Air Power Variable Speed, Pulse & Wave Heated Air Pump
Quiet Pad Anti-Vibration Mounted Pumps

HEATERS

Whisper Flo Heat System
Warm Back Rest Tubing Zone

CONTROLS

Air Switch On/Off Control(s) for Chromatherapy Lighting
Variable Speed Air Massage control
Automatic Purge & Dry Cycle Control

PURITY

HydroCleanse

DRAINS & OVERFLOWS INFORMATION

- Overflow: Integral Slotted in Acrylic – no finishes available
- Bath Drain: Pop up: Included - Polished Chrome or Brushed Nickel
Optional: White, Biscuit, Black, Polished Nickel, Oil Rubbed Bronze
- In Floor Drain EZ Fast Connect (optional)

FAUCET INFORMATION

- Note: Faucet Deck on the technical drawing for reference.

STANDARD ACCESSORIES

EZ Level Base • FDA Recipe Non-Toxic Food & Beverage Grade Plumbing (primarily) • 30 Point Quality Assurance Factory Test

ADDITIONAL INFORMATION

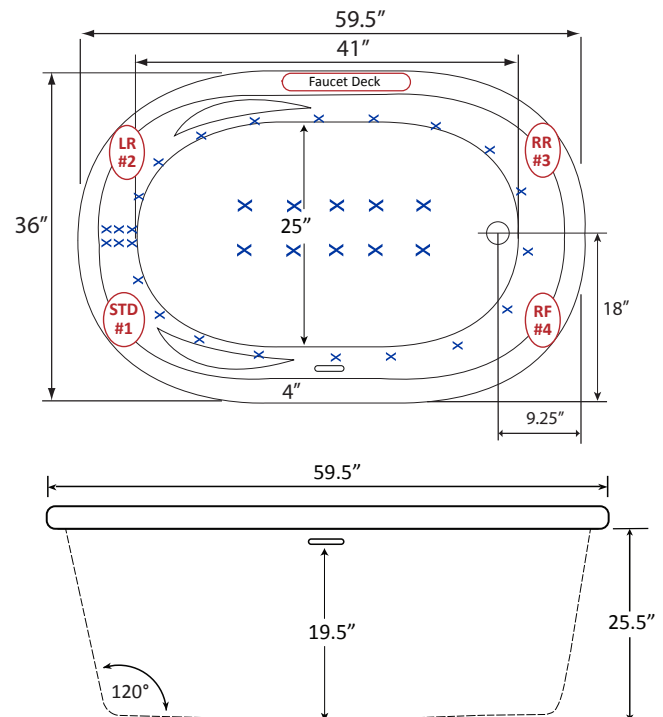
Your qualified installer must water test and run all equipment before leaving your home to ensure proper operation and validate warranty.

TECHNICAL SPECIFICATIONS

End drain
Select Pump Location(s): Standard, LR#2, RR#3 or RF#4

ELECTRICAL REQUIREMENTS

(2) 115v 20AMP GFCI Circuits



Specifications and features are subject to change without notice and are + .25". All final measurements should be taken from tub on site.

HydroMassage Products LLC • 303-341-1845 • Fax: 303-341-1850 • www.hydromassageproducts.com