

Rosabella 5936ED | Combination 30 Water & Air Massage

Product Number: ROC30J5936EDFS-A 59" x 36" x 26"



STANDARD & OPTIONAL ACCESSORIES

JETS: 30 Total

- X** 18 EZ Clean HTT Air Jets
- ⊕ 6 AccuMassage Jets - Back & Shoulder Jets
- ⊙ 4 Ultra Flow Water Jets
- ⊗ 2 Sole Soothers Foot Jets
- A** 10 EZ Clean HTT Leg Therapy Air Massage Floor Jets (optional)

PUMPS

- 3.25 Hydropower 3-speed Pump
- 1.25 Air Power Variable Speed, Pulse & Wave Heated Air Pump
- Quiet Pad Anti-Vibration Mounted Pumps

HEATERS

- Stainless Steel Electric Heater • Warm Back Rest Tubing Zone

CONTROLS

- Air Switch On/Off Control(s) for Hydro Pump & Chromatherapy Lighting
- Electronic variable speed air massage control
- Automatic Purge & Dry Cycle Control
- 3-speed Massage: High, medium, low

PURITY

- Hydro Clean Water Purity System • HydroCleanse

DRAINS & OVERFLOWS INFORMATION

- Overflow: Integral Slotted in Acrylic – no finishes available
- Bath Drain: Pop up: Included - Polished Chrome or Brushed Nickel
Optional: White, Biscuit, Black, Polished Nickel, Oil Rubbed Bronze
- In Floor Drain EZ Fast Connect (optional)

FAUCET INFORMATION

- Deck Mount or Floor mount (not included & no faucet holes drilled)
- Access Panel recommended for Deck faucet (optional)
- Floor mount verify spout distance

STANDARD ACCESSORIES

- Grab Bar(s): One - White, Biscuit, Bone, Brushed Nickel, Polished Chrome, Oil Rubbed Bronze

- Chromatherapy Lighting • Deluxe Cushion Pillow • EZ Level Base
- FDA Recipe Non-Toxic Food & Beverage Grade Plumbing (primarily) • 30 Point Quality Assurance Factory Test

ADDITIONAL INFORMATION

3" or more space required to access equipment panel. Tub may also need to be shifted or disconnected in some situations.

Access panel equipment design and location may vary based on model.

Your qualified installer must water test and run all equipment before leaving your home to ensure proper operation and validate warranty.



TECHNICAL SPECIFICATIONS

- End drain
- Pump Location(s): Standard or #2RF

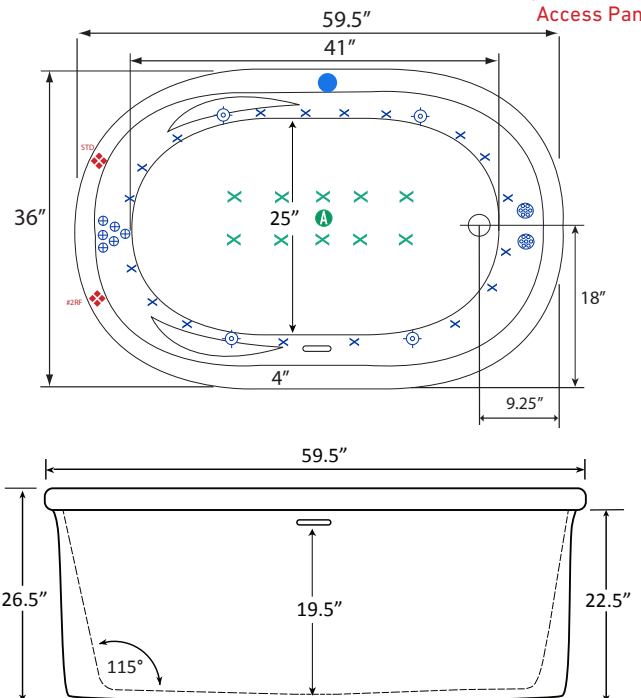
ELECTRICAL REQUIREMENTS

- (3) 115v 20AMP GFCI Circuits



● Faucet Access Panel

◆ Equipment Access Panel



Specifications and features are subject to change without notice and are + .25". All final measurements should be taken from tub on site.

HydroMassage Products LLC • 303-341-1845 • Fax: 303-341-1850 • www.hydromassageproducts.com

