

# Rosabella 5936ED Drop In Bath | C30 Water & Air Massage

Product Number: ROC30J5936ED 59" x 36" x 25.5"



## STANDARD & OPTIONAL ACCESSORIES

### JETS: 30 Total

- X 18 EZ Clean HTT Air Jets
- ⊕ 6 AccuMassage Jets - Back & Shoulder Jets
- ⊙ 4 Ultra Flow Water Jets
- ⊗ 2 Sole Soothers Foot Jets
- A 10 EZ Clean HTT Leg Therapy Air Massage Floor Jets

(optional)

### PUMPS

- 3.25 Hydropower 3-speed Pump
- 1.25 Air Power Variable Speed, Pulse & Wave Heated Air Pump
- Quiet Pad Anti-Vibration Mounted Pumps

### HEATERS

Stainless Steel Electric Heater • Warm Back Rest Tubing Zone

### CONTROLS

- Air Switch On/Off Control(s) for Hydro Pump & Chromotherapy Lighting
- 3-speed Massage: High, medium, low
- Electronic variable speed air massage control
- Automatic Purge & Dry Cycle Control

### PURITY

Hydro Clean Water Purity System • HydroCleanse

### DRAINS & OVERFLOWS INFORMATION

- Overflow: Integral Slotted in Acrylic – no finishes available
- Bath Drain: Pop up: Included - Polished Chrome or Brushed Nickel  
Optional: White, Biscuit, Black, Polished Nickel, Oil Rubbed Bronze
- In Floor Drain EZ Fast Connect (optional)

### FAUCET INFORMATION

- Note: Faucet Deck on the technical drawing for reference.

### STANDARD ACCESSORIES

Grab Bar(s): One - White, Biscuit, Bone, Brushed Nickel, Polished Chrome, Oil Rubbed Bronze

- Chromotherapy Lighting • Deluxe Cushion Pillow • EZ Level Base
- FDA Recipe Non-Toxic Food & Beverage Grade Plumbing (primarily) • 30 Point Quality Assurance Factory Test

### ADDITIONAL INFORMATION

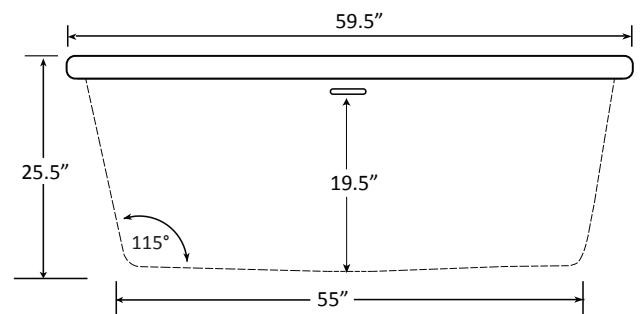
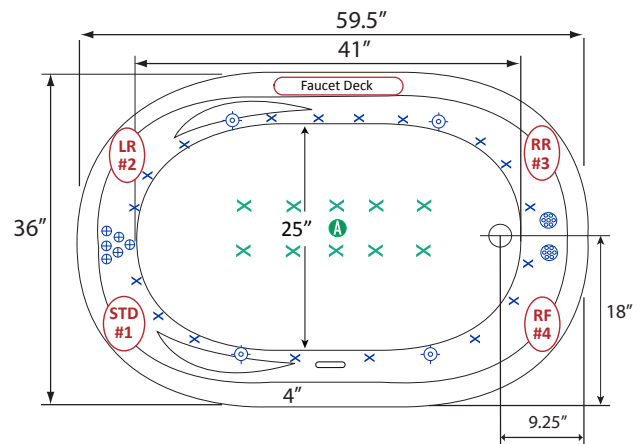
Your qualified installer must water test and run all equipment before leaving your home to ensure proper operation and validate warranty.

## TECHNICAL SPECIFICATIONS

End drain  
Select Pump Location(s): Standard, LR#2, RR#3 or RF#4

## ELECTRICAL REQUIREMENTS

(3) 115v 20AMP GFCI Circuits



Specifications and features are subject to change without notice and are + .25". All final measurements should be taken from tub on site.

HydroMassage Products LLC • 303-341-1845 • Fax: 303-341-1850 • [www.hydromassageproducts.com](http://www.hydromassageproducts.com)