

# Rosabella 7236SD Drop In Bath | Combination 30 Water & Air Massage

Product Number: ROC30J7236SD 72" x 36" x 27"



## STANDARD & OPTIONAL ACCESSORIES

### JETS: 30 Total

- X** 18 EZ Clean HTT Air Jets
- ⊕ 6 AccuMassage Jets - Back & Shoulder Jets
- ⊙ 4 Ultra Flow Water Jets
- ⊗ 2 Sole Soothers Foot Jets
- A** 10 EZ Clean HTT Leg Therapy Air Massage Floor Jets (optional)

### PUMPS

- 3.25 Hydropower 3-speed Pump
- 1.25 Air Power Variable Speed, Pulse & Wave Heated Air Pump
- Quiet Pad Anti-Vibration Mounted Pumps

### HEATERS

- Stainless Steel Electric Heater • Warm Back Rest Tubing Zone

### CONTROLS

- Air Switch On/Off Control(s) for Hydro Pump & Chromatherapy Lighting
- Electronic variable speed air massage control
- Automatic Purge & Dry Cycle Control
- 3-speed Massage: High, medium, low

### PURITY

- Hydro Clean Water Purity System • HydroCleanse

### DRAINS & OVERFLOWS INFORMATION

- Deluxe Cable Drain: White, Biscuit, Bone, Brushed Nickel, Oil Rubbed Bronze, Polished Chrome or Matte Black

### STANDARD ACCESSORIES

- EZ Level Base • FDA Recipe Non-Toxic Food & Beverage Grade Plumbing (primarily) • 30 Point Quality Assurance Factory Test

### ADDITIONAL INFORMATION

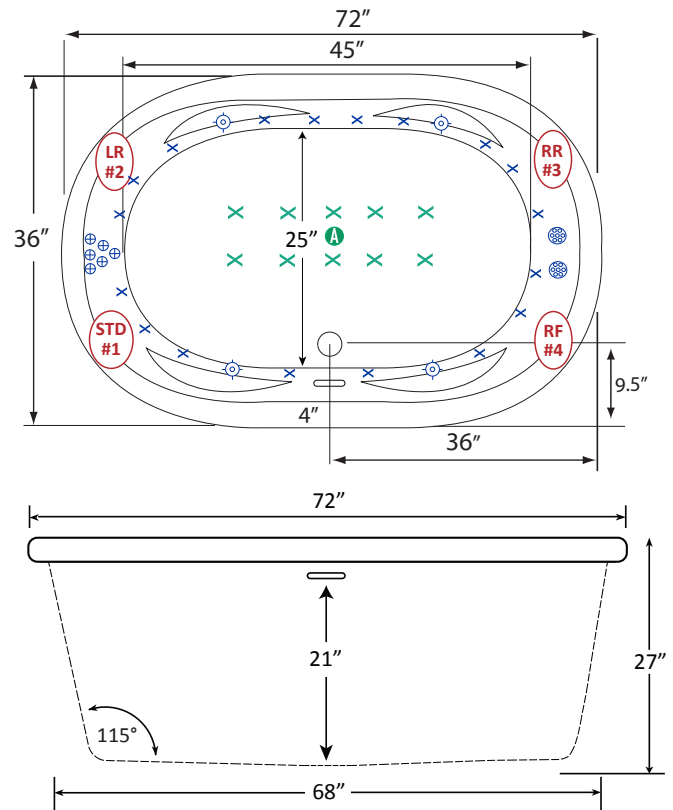
Your qualified installer must water test and run all equipment before leaving your home to ensure proper operation and validate warranty.

### TECHNICAL SPECIFICATIONS

Side drain

### ELECTRICAL REQUIREMENTS

(3) 115v 20AMP GFCI Circuits



Specifications and features are subject to change without notice and are + .25". All final measurements should be taken from tub on site.

HydroMassage Products LLC • 303-341-1845 • Fax: 303-341-1850 • [www.hydromassageproducts.com](http://www.hydromassageproducts.com)

07/22