

Rosabella 7236SD | Combination 43 Water & Air Massage

Product Number: ROC43J7242SDFS-A 72" x 36" x 28"



STANDARD & OPTIONAL ACCESSORIES

JETS: 43 Total

- X 18 EZ Clean HTT Air Jets
- ⊕ 17 AccuMassage Back Jets
- ⊗ 2 AccuMassage Neck Pillow Jets
- ⊖ 4 Ultra Flow Water Jets
- ⊙ 2 Sole Soother Foot Jets
- A 10 EZ Clean HTT Leg Therapy Air Massage Floor Jets (optional)

PUMPS

2 - 3.25 Hydropower 3-speed Pump
1.25 Air Power Variable Speed, Pulse & Wave Heated Air Pump
Quiet Pad Anti-Vibration Mounted Pumps

HEATERS

Stainless Steel Electric Heater • Warm Back Rest Tubing Zone

CONTROLS

Air Switch On/Off Control(s) for Hydro Pump & Chromatherapy Lighting
Electronic variable speed air massage control
Automatic Purge & Dry Cycle Control
3-speed Massage: High, medium, low

PURITY

Hydro Clean Water Purity System • HydroCleanse

DRAINS & OVERFLOWS INFORMATION

- Overflow: Integral Slotted in Acrylic – no finishes available
- Bath Drain: Pop up: Included - Polished Chrome or Brushed Nickel
Optional: White, Biscuit, Black, Polished Nickel, Oil Rubbed Bronze
- In Floor Drain EZ Fast Connect (optional)

FAUCET INFORMATION

- Deck Mount or Floor mount (not included & no faucet holes drilled)
- Access Panel recommended for Deck faucet (optional)
- Floor mount verify spout distance

STANDARD ACCESSORIES

Grab Bar(s): One - White, Biscuit, Bone, Brushed Nickel, Polished Chrome, Oil Rubbed Bronze

Chromatherapy Lighting • Deluxe Cushion Pillow • EZ Level Base • FDA Recipe Non-Toxic Food & Beverage Grade Plumbing (primarily) • 30 Point Quality Assurance Factory Test

ADDITIONAL INFORMATION

3" or more space required to access equipment panel. Tub may also need to be shifted or disconnected in some situations.

Access panel equipment design and location may vary based on model.

Your qualified installer must water test and run all equipment before leaving your home to ensure proper operation and validate warranty.



TECHNICAL SPECIFICATIONS

Side drain
Pump Location(s): Standard or #2RF

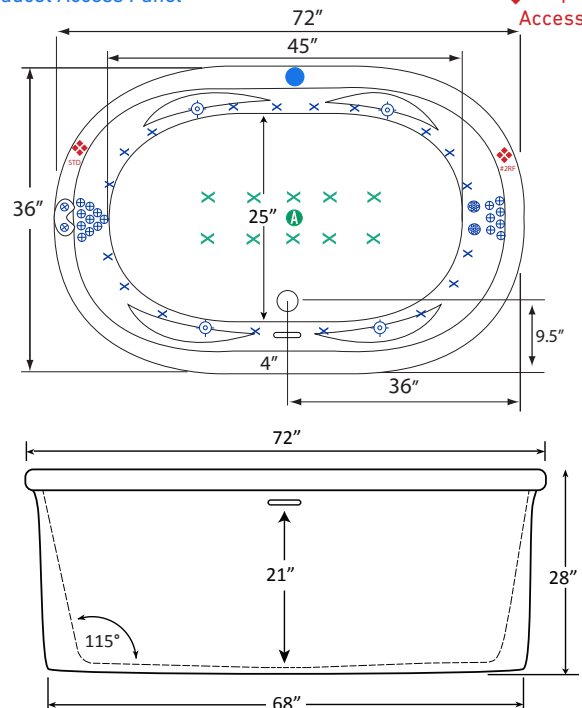
ELECTRICAL REQUIREMENTS

(4) 115v 20AMP GFCI Circuits



Faucet Access Panel

Equipment Access Panel



Specifications and features are subject to change without notice and are + .25". All final measurements should be taken from tub on site.

HydroMassage Products LLC • 303-341-1845 • Fax: 303-341-1850 • www.hydromassageproducts.com

