

# Rosabella 5936ED Drop In Bath | H2O Water Massage

Product Number: ROH20J5936ED 59" x 36" x 25"



## STANDARD & OPTIONAL ACCESSORIES

### JETS: 20 Total

- ⊕ 12 AccuMassage Back and Foot Jets
- ⊕ 2 AccuMassage Neck Pillow Jets
- ⊕ 4 Ultra Flow Water Jets
- ⊕ 2 Sole Soother Foot Jets

### PUMPS

2 - 3.25 Hydropower 3-speed Pump  
Quiet Pad Anti-Vibration Mounted Pumps

### HEATERS

Stainless Steel Electric Heater • Warm Back Rest Tubing Zone

### CONTROLS

Air Switch On/Off Control(s) for Hydro Pump &  
Chromatherapy Lighting  
3-speed Massage: High, medium, low

### PURITY

Hydro Clean Water Purity System • HydroCleanse

### DRAINS & OVERFLOWS INFORMATION

- Overflow: Integral Slotted in Acrylic – no finishes available
- Bath Drain: Pop up: Included - Polished Chrome or Brushed Nickel  
Optional: White, Biscuit, Black, Polished Nickel, Oil Rubbed Bronze
- In Floor Drain EZ Fast Connect (optional)

### FAUCET INFORMATION

- Note: Faucet Deck on the technical drawing for reference.

### STANDARD ACCESSORIES

Chromatherapy Light • Deluxe Cushion Pillow • EZ Level Base  
• FDA Recipe Non-Toxic Food & Beverage Grade Plumbing (primarily) • 30 Point Quality Assurance Factory Test

### ADDITIONAL INFORMATION

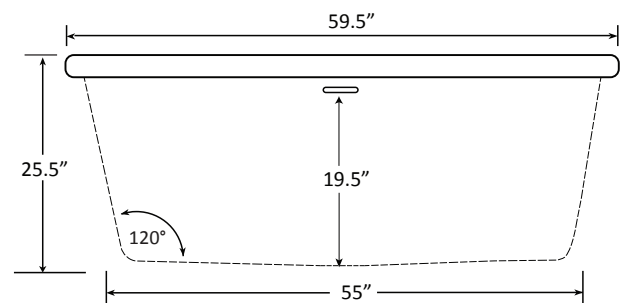
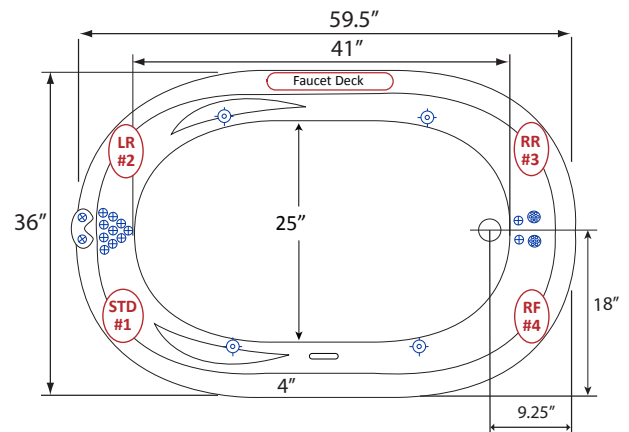
Your qualified installer must water test and run all equipment before leaving your home to ensure proper operation and validate warranty.

### TECHNICAL SPECIFICATIONS

End drain  
Select Pump Location(s): Standard, LR#2, RR#3 or RF#4

### ELECTRICAL REQUIREMENTS

(3) 115v 20AMP GFCI Circuits



Specifications and features are subject to change without notice and are + .25". All final measurements should be taken from tub on site.

HydroMassage Products LLC • 303-341-1845 • Fax: 303-341-1850 • [www.hydromassageproducts.com](http://www.hydromassageproducts.com)

12/22