

# Rosabella 6636SD Drop In Bath | H25 Water Massage

Product Number: ROH25J6636SD 66" x 36" x 25.5"



## STANDARD & OPTIONAL ACCESSORIES

### JETS: 25 Total

- ⊕ 17 AccuMassage Back Jets
- ⊕ 2 AccuMassage Neck Pillow Jets
- ⊕ 4 Ultra Flow Water Jets
- ⊕ 2 Sole Soother Foot Jets

### PUMPS

2 - 3.25 Hydropower 3-speed Pump  
Quiet Pad Anti-Vibration Mounted Pumps

### HEATERS

Stainless Steel Electric Heater • Warm Back Rest Tubing Zone

### CONTROLS

Air Switch On/Off Control(s) for Hydro Pump &  
Chromatherapy Lighting  
3-speed Massage: High, medium, low

### PURITY

Hydro Clean Water Purity System • HydroCleanse

### DRAINS & OVERFLOWS INFORMATION

- Overflow: Integral Slotted in Acrylic – no finishes available
- Bath Drain: Pop up: Included - Polished Chrome or Brushed Nickel  
**Optional:** White, Biscuit, Black, Polished Nickel, Oil Rubbed Bronze
- In Floor Drain EZ Fast Connect (**optional**)

### FAUCET INFORMATION

- Note: Faucet Deck on the technical drawing for reference.

### STANDARD ACCESSORIES

Grab Bar(s): One - White, Biscuit, Bone, Brushed Nickel, Polished Chrome, Oil Rubbed Bronze

Chromatherapy Lighting • Deluxe Cushion Pillow • EZ Level Base • FDA Recipe Non-Toxic Food & Beverage Grade Plumbing (primarily) • 30 Point Quality Assurance Factory Test

### ADDITIONAL INFORMATION

Your qualified installer must water test and run all equipment before leaving your home to ensure proper operation and validate warranty.

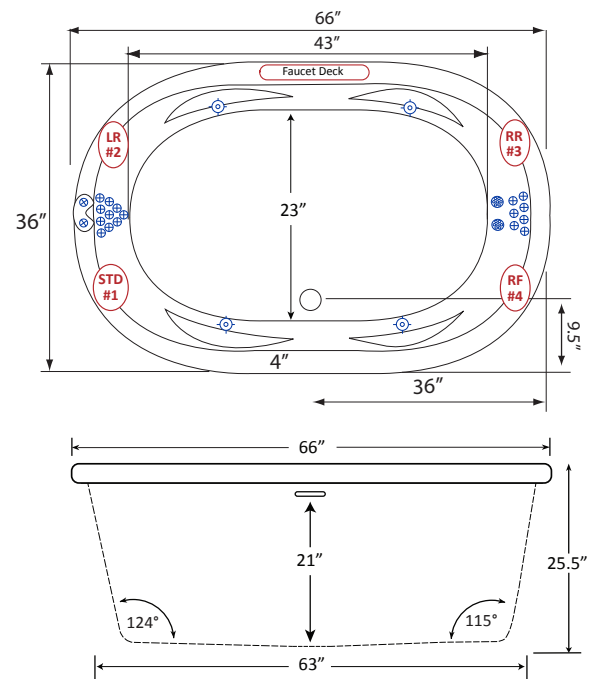
### TECHNICAL SPECIFICATIONS

Side drain

Select Pump Location(s): Standard, LR#2, RR#3 or RF#4

### ELECTRICAL REQUIREMENTS

(3) 115v 20AMP GFCI Circuits



Specifications and features are subject to change without notice and are + .25". All final measurements should be taken from tub on site.

HydroMassage Products LLC • 303-341-1845 • Fax: 303-341-1850 • [www.hydromassageproducts.com](http://www.hydromassageproducts.com)

12/22