

Rosabella 6636SD Drop In Bath | Heated Soak Series

Product Number: ROSS6636SD 66" x 36" x 27"



STANDARD & OPTIONAL ACCESSORIES

CIRCULATION PORTS

- ← 1 Inlet
- ← 1 Outlet

PUMPS

Whisper Flo Heat Pump
Quiet Pad Anti-Vibration Mounted Pump

CONTROLS

Air Switch On/Off Control(s) for Heat Pump

PURITY

HydroCleanse

DRAINS & OVERFLOWS INFORMATION

- Overflow: Integral Slotted in Acrylic – no finishes available
- Bath Drain: Pop up: Included - Polished Chrome or Brushed Nickel
Optional: White, Biscuit, Black, Polished Nickel, Oil Rubbed Bronze
- In Floor Drain EZ Fast Connect (**optional**)

FAUCET INFORMATION

- Note: Faucet Deck on the technical drawing for reference.

STANDARD ACCESSORIES

EZ Level Base • FDA Recipe Non-Toxic Food & Beverage Grade Plumbing (primarily) • 30 Point Quality Assurance Factory Test

ADDITIONAL INFORMATION

Your qualified installer must water test and run all equipment before leaving your home to ensure proper operation and validate warranty.

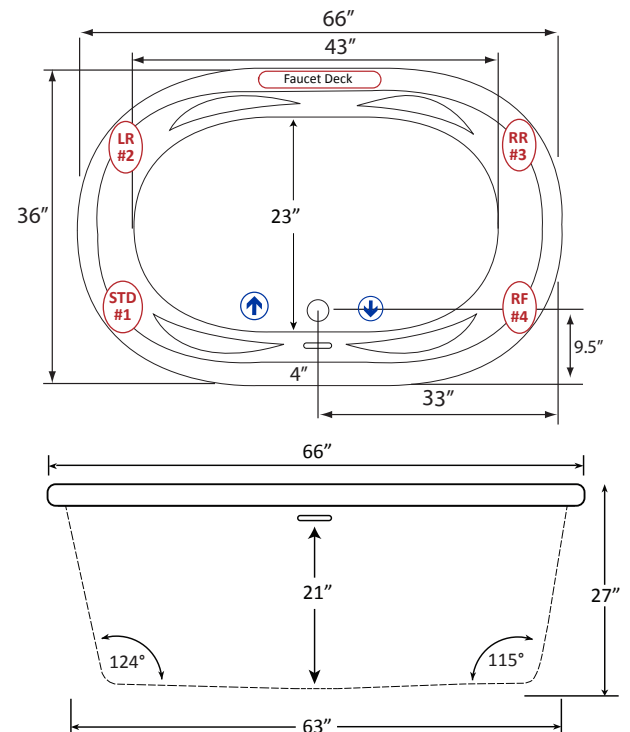
TECHNICAL SPECIFICATIONS

Side drain

Select Pump Location(s): Standard, LR#2, RR#3 or RF#4

ELECTRICAL REQUIREMENTS

(1) 115v 20AMP GFCI Circuits



Specifications and features are subject to change without notice and are + .25". All final measurements should be taken from tub on site.

HydroMassage Products LLC • 303-341-1845 • Fax: 303-341-1850 • www.hydromassageproducts.com