

# Sarah 5833SD | Heated Oxygen Soak Series

Product Number: SRH05833SDFS-A 58" x 33" x 27"



## STANDARD & OPTIONAL ACCESSORIES

### CIRCULATION PORTS

- ← 1 Inlet
- ← 1 Outlet

Optional - Handheld Facial Wand

### PUMPS

ReVive Oxygen Pump  
Quiet Pad Anti-Vibration Mounted Pump

### CONTROLS

Air Switch On/Off Control(s) for Pump

### PURITY

HydroCleanse

### DRAINS & OVERFLOWS INFORMATION

- Overflow: Integral Slotted in Acrylic - no finishes available
- Bath Drain: Pop up: Included- Polished Chrome or Brushed Nickel.  
Optional - White, Biscuit, Black, Polished Nickel, Oil Rubbed Bronze.
- In Floor Drain EZ Fast Connect (optional)

### FAUCET INFORMATION

- Deck Mount or Floor mount (not included & no faucet holes drilled)
- Access Panel recommended for Deck faucet (optional)
- Floor mount verify spout distance

### STANDARD ACCESSORIES

EZ Clean Cast Acrylic • FDA Recipe Non-Toxic Food & Beverage Grade Plumbing (primarily) • 30 Point Quality Assurance Factory Test • EZ Level Adjustable Legs

### OPTIONAL ACCESSORIES

Cozy Heated Back System • Deluxe Cushion Pillow • Chromotherapy Lighting

### ADDITIONAL INFORMATION

6 1/2" or more space required to access equipment panel. Tub may also need to be shifted or disconnected in some situations.

Access panel equipment design and location may vary based on model.

Your qualified installer must water test and run all equipment before leaving your home to ensure proper operation and validate warranty.

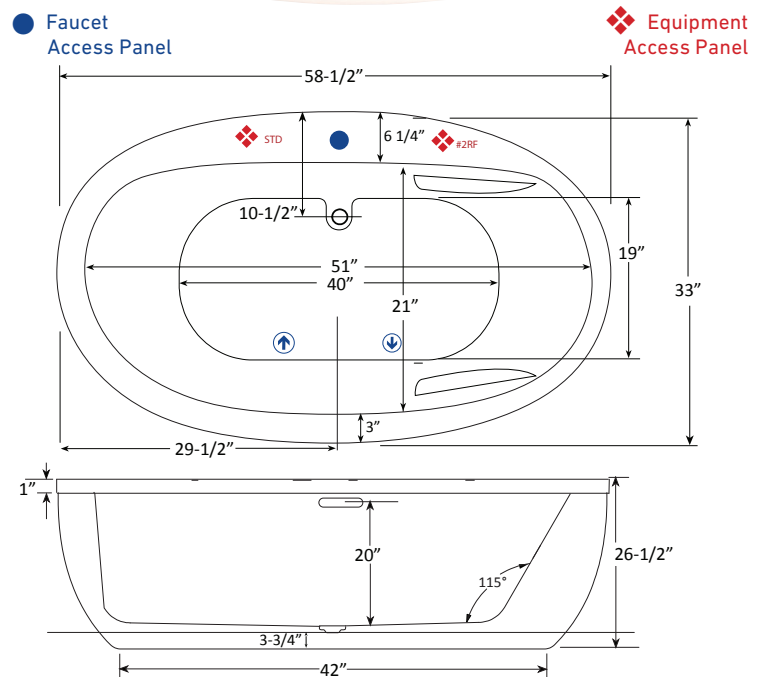


### TECHNICAL SPECIFICATIONS

Side drain  
Pump Location(s): Standard or #2RF

### ELECTRICAL REQUIREMENTS

(1) 115v 20AMP GFCI Circuits



Specifications and features are subject to change without notice and are + .25". All final measurements should be taken from tub on site.

HydroMassage Products LLC • 303-341-1845 • Fax: 303-341-1850 • [www.hydromassageproducts.com](http://www.hydromassageproducts.com)

