

Tahoe Pedestal 7242SDP | H9 Water Massage Series

Product Number: TAH9J7242SDFSP-A 72" x 42" x 27"



STANDARD & OPTIONAL ACCESSORIES

JETS: 9 Total

- 5 Ultra Flow Water Massage Jets
- 4 Micro Flow Water Massage Jets

PUMPS

2.25 Hydropower 1-speed Pump
Quiet Pad Anti-Vibration Mounted Pumps

CONTROLS

Air Switch On/Off Control(s) for Hydro Pump

PURITY

Hydro Clean Water Purity System • HydroCleanse

DRAINS & OVERFLOWS INFORMATION

- Overflow: Integral Slotted in Acrylic - no finishes available.
- Bath Drain: Pop up: Included- Polished Chrome or Brushed Nickel.
Optional - White, Biscuit, Black, Polished Nickel, Oil Rubbed Bronze.
- In Floor Drain EZ Fast Connect (optional)

FAUCET INFORMATION

- Deck Mount or Floor mount (not included & no faucet holes drilled)
- Access Panel required for Deck faucet (optional)
- Floor mount verify spout distance

STANDARD ACCESSORIES

EZ Level Base • FDA Recipe Non-Toxic Food & Beverage Grade Plumbing (primarily) • 30 Point Quality Assurance Factory Test

ADDITIONAL INFORMATION

6 1/2" or more space required to access equipment panel. Tub may also need to be shifted or disconnected in some situations.

Access panel equipment design and location may vary based on model.

Your qualified installer must water test and run all equipment before leaving your home to ensure proper operation and validate warranty.



TECHNICAL SPECIFICATIONS

Side drain
Pump Location: Standard

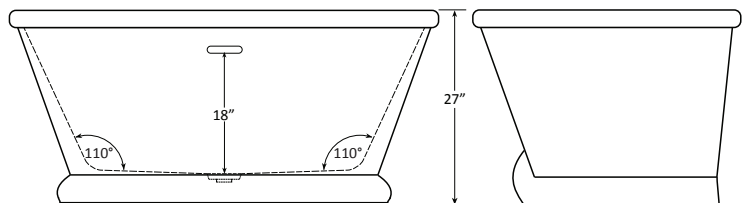
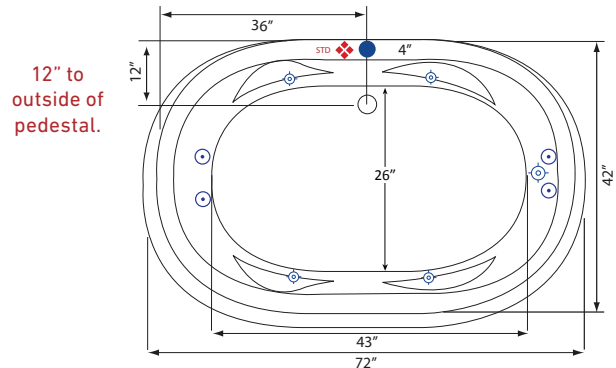
ELECTRICAL REQUIREMENTS

(1) 115v 20AMP GFCI Circuits



Faucet Access Panel

Equipment Access Panel



Decorative Pedestal is not on back side in order to accommodate equipment access. This side should be placed against wall.



Specifications and features are subject to change without notice and are + .25". All final measurements should be taken from tub on site.

HydroMassage Products LLC • 303-341-1845 • Fax: 303-341-1850 • www.hydromassageproducts.com