

# Tahoe Pedestal 7242SDP | Heated Oxygen Soak Series

Product Number: TAH07242SDFSP-A 72" x 42" x 27"



## STANDARD & OPTIONAL ACCESSORIES

### CIRCULATION PORTS

- ← 1 Inlet
- ← 1 Outlet

Optional - Handheld Facial Wand

### PUMPS

Revive Oxygen Pump • Quiet Pad Anti-Vibration Mounted Pump

### CONTROLS

Air Switch On/Off Control(s) for Pump

### PURITY

Hydro Clean Water Purity System • HydroCleanse

### DRAINS & OVERFLOWS INFORMATION

- Overflow: Integral Slotted in Acrylic - no finishes available.
- Bath Drain: Pop up: Included- Polished Chrome or Brushed Nickel.  
Optional - White, Biscuit, Black, Polished Nickel, Oil Rubbed Bronze.
- In Floor Drain EZ Fast Connect (optional)

### FAUCET INFORMATION

- Deck Mount or Floor mount (not included & no faucet holes drilled)
- Access Panel required for Deck faucet (optional)
- Floor mount verify spout distance

### STANDARD ACCESSORIES

EZ Clean Cast Acrylic • FDA Recipe Non-Toxic Food & Beverage Grade Plumbing (primarily) • 30 Point Quality Assurance Factory Test • EZ Level Adjustable Legs

### OPTIONAL ACCESSORIES

Cozy Heated Back System • Deluxe Cushion Pillow • Chromotherapy Lighting

### ADDITIONAL INFORMATION

6 1/2" or more space required to access equipment panel. Tub may also need to be shifted or disconnected in some situations.

Access panel equipment design and location may vary based on model.

Your qualified installer must water test and run all equipment before leaving your home to ensure proper operation and validate warranty.



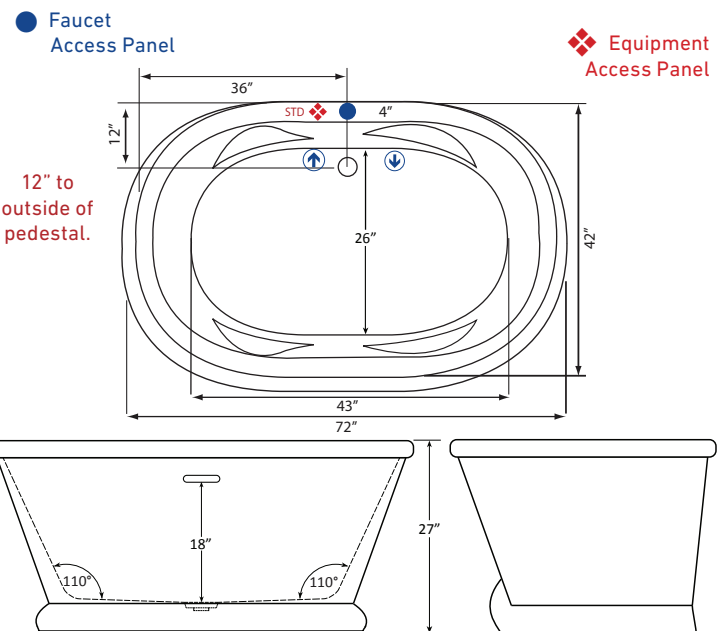
### TECHNICAL SPECIFICATIONS

Side drain

Pump Location: Standard

### ELECTRICAL REQUIREMENTS

(1) 115v 20AMP GFCI Circuits



Decorative Pedestal is not on back side in order to accommodate equipment access. This side should be placed against wall.

