

# Zen ZESS6032 60" x 32" x 23"

PRODUCT NUMBER: ZESS6032 

SOOTHING SOAK SERIES

*Hydro Massage*  
Your Health ... Our Passion

TECHNICAL SPECIFICATIONS	
Drain	End drain
Pump Location(s): Select 1	Std. = Standard / Alt LF/RF Optional
Bath Weight (empty)	150 lbs
Gallons to Operate	39-57
ELECTRICAL SPECIFICATIONS	
Motor/Pump	(1) 115v 20AMP GFCI Circuits
Inline Stainless Steel Heater	N/A

BATHERS: 1	
INSTALLATION	
•	DECK (D)
•	UNDER MOUNT (U)
•	ALCOVE (A)
	FREESTANDING (F)
	CLAWFOOT (L)
	PEDESTAL (P)

TEXTURED FLOOR



## STANDARD FEATURES & ACCESSORIES for SOOTHING SOAK SERIES BATHS \_\_\_\_\_

### PUMPS

WhisperFlo Heat Pump  
Quiet Pad Anti-Vibration Mounted Pump

### CONTROLS

Air Switch On/Off Control(s) for Hydro Pump

### PURITY

HydroCleanse

### STANDARD ACCESSORIES

EZ Clean Cast Acrylic  
FDA Recipe Non-Toxic Food & Beverage Grade Plumbing (primarily)  
30 Point Quality Assurance Factory Test  
EZ Level Adjustable Legs

### REQUIREMENTS

Pump Locations: Select 1

Electrical: one 115v 20AMP GFCI Circuits

**Tub should not be supported by the lip in any way.**

**Level tub & screw or glue EZ Level adjustable legs to sub floor.**

#### CUT OUT DIMENSIONS:

**OVALS:** A template will be provided

**RECTANGLES:** Subtract 1" to 1.5" from length & width for hole cut out size

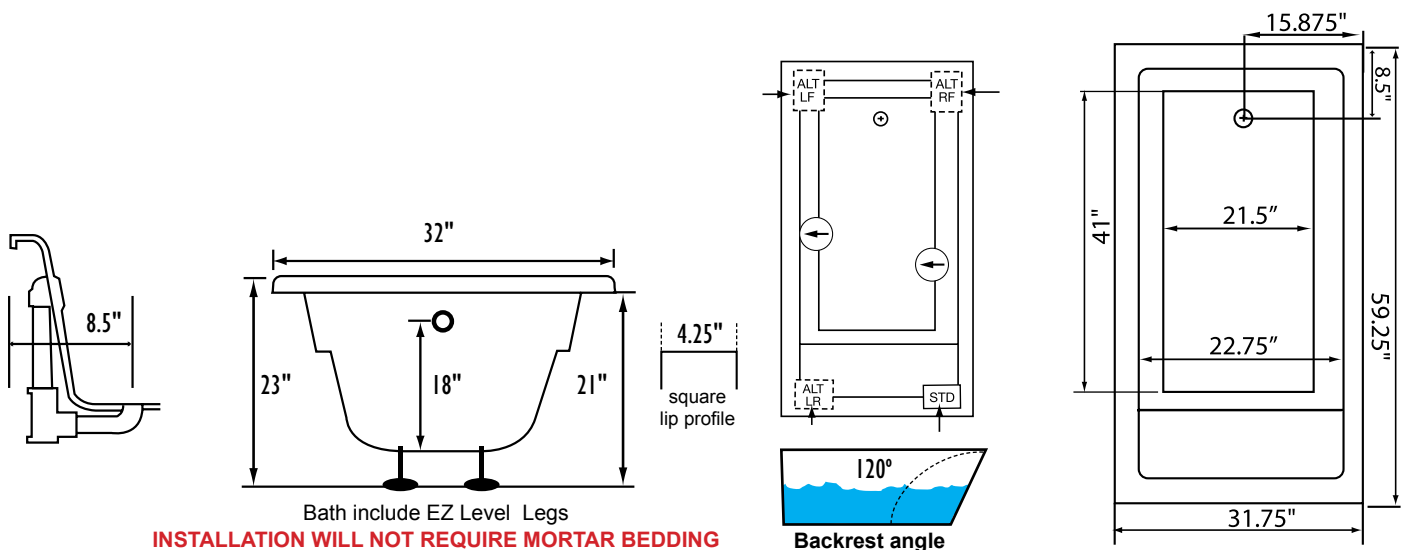
### EZ CLEAN CAST ACRYLIC

LIMITED LIFETIME WARRANTY  US ANSI

TEXTURED FLOOR

## OPTIONAL FEATURES & ACCESSORIES

(Please type in the box below)



**INSTALLATION WILL NOT REQUIRE MORTAR BEDDING**

**Backrest angle**

Some standard & most alternate pump locations may stickout past perimeter of the bath 1"-3". NOTE: Graphics may not be to scale. Specifications and features are subject to change without notice and are  $\pm .25"$ . All final measurements should be taken from tub on site. Access 18"x 18" or larger is required for each pump. Consult your contractor for installation requirements.