

Zen ZEAP6034SKTF 60" x 34" x 23"

PRODUCT NUMBER: ZEAP6034SKTF-LH & ZEAP6034SKTF-RH 

AIR PLATINUM SERIES

Hydro Massage
Your Health ... Our Passion

| TECHNICAL SPECIFICATIONS | |
|------------------------------|--------------------------------------|
| Drain | End drain |
| Pump Location(s): Select 2 | Std. = Standard / Alt LF/RF Optional |
| Bath Weight (empty) | 165 lbs |
| Gallons to Operate | 38-56 |
| ELECTRICAL SPECIFICATIONS | |
| Motor/Pump | (1) 115v 20AMP GFCI Circuits |
| Whisper Flo Heat Pump System | (2) 115v 20AMP GFCI Circuit |

| BATHERS: 1 | |
|--------------|------------------|
| INSTALLATION | |
| | DECK (D) |
| | UNDER MOUNT (U) |
| • | ALCOVE (A) |
| | FREESTANDING (F) |
| | CLAWFOOT (L) |
| | PEDESTAL (P) |



STANDARD FEATURES & ACCESSORIES for AIR PLATINUM SERIES BATHS _____

JETS

34 EZ Clean Air Jets
 HTT Leg Therapy Air Massage Jets **X**
 HTT Back Therapy Air Massage Jets **X**

PUMPS

1.25 Air Power Variable Speed, Pulse & Wave heated Air Pump
 Quiet Pad Anti-Vibration Mounted Pump

HEATERS

WhisperFlo Heat System with Control & Ecobond Foam Insulation
 (must select Pump Locations and requires two additional circuits)
 Warm Back Rest Tubing Zone

CONTROLS

Air Switch On/Off Control(s) for Chromatherapy & Whisper Flo Heat System
 Variable Speed Air Massage Control
 Automatic Purge & Dry Cycle Control

PURITY

HydroClean Water Purity System
 HydroCleanse

STANDARD ACCESSORIES

Grab Bar(s) - 2 on End Drain baths - White, Biscuit, Bone, Brushed Nickel, Polished Chrome
 Chromatherapy Lighting
 Deluxe Cable Drain - White, Biscuit, Bone, Brushed Nickel, Oil Rubbed Bronze, Polished Chrome,
 Deluxe Cushion Pillow
 Integral Skirt with Magnetic Access Panel
 EZ Level Base
 FDA Recipe Non-Toxic Food & Beverage Grade Plumbing (primarily)
 30 Point Quality Assurance Factory Test

REQUIREMENTS

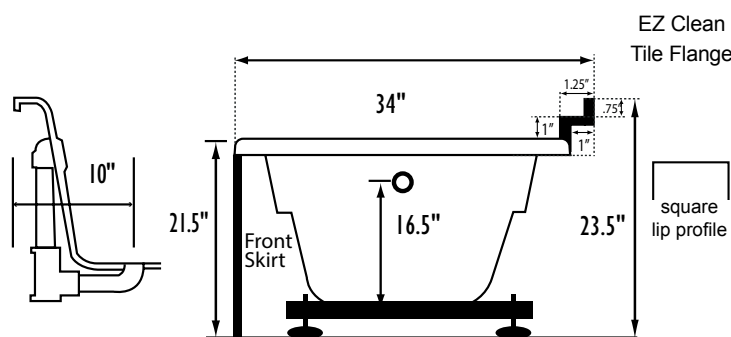
Pump Locations: Select 2
 Electrical: Three 115v 20amp GFCI Circuits
 Drain and Grab Bars: Select Color / Finish
Tub should not be supported by the lip in any way. Level tub & screw or glue adjustable legs to sub floor.
CUT OUT DIMENSIONS:
OVALS: A template will be provided
RECTANGLES: Subtract 1" to 1.5" from length & width for hole cut out size

EZ CLEAN CAST ACRYLIC LIMITED LIFETIME WARRANTY 

OPTIONAL FEATURES & ACCESSORIES

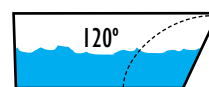
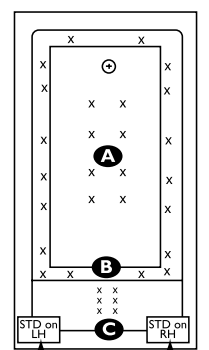
(Please type in the box below)

- A** **X** **HTT® Leg Therapy Air Massage System** includes 10 Air Jets on the floor. Optional on Combo Plat and Combo Gold Series
- B** **X** **6 Jet HTT® Back Massage System:** N/A on Combo Series-Standard on Plat series
- C** **Warm Back Tubing Zone**

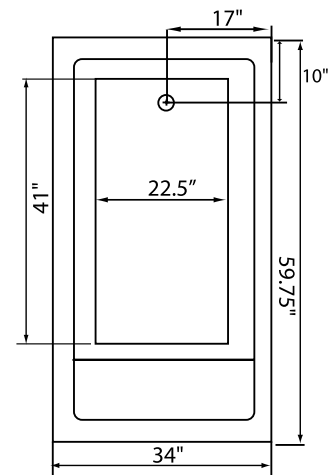


Bath includes EZ Level Base

INSTALLATION WILL NOT REQUIRE MORTAR BEDDING



Backrest angle



Some standard & most alternate pump locations may stickout past perimeter of the bath 1"-3". **NOTE: Graphics may not be to scale. Specifications and features are subject to change without notice and are ± .25". All final measurements should be taken from tub on site. Access 18"x 18" or larger is required for each pump. Consult your contractor for installation requirements.**