

# Zen ZECS6042 60" x 42" x 23"

PRODUCT NUMBER: ZECS6042 

## COMBINATION SILVER SERIES

*Hydro Massage*  
Your Health ... Our Passion

| TECHNICAL SPECIFICATIONS      |                                      |
|-------------------------------|--------------------------------------|
| Drain                         | End drain                            |
| Pump Location(s): Select 2    | Std. = Standard / Alt LF/RF Optional |
| Bath Weight (empty)           | 155 lbs                              |
| Gallons to Operate            | 57-75                                |
| ELECTRICAL SPECIFICATIONS     |                                      |
| Motor/Pump                    | (2) 115v 20AMP GFCI Circuits         |
| Inline Stainless Steel Heater | (Opt.) 115v 20AMP GFCI Circuit       |




| BATHERS: 1   |                  |
|--------------|------------------|
| INSTALLATION |                  |
| •            | DECK (D)         |
| •            | UNDER MOUNT (U)  |
| •            | ALCOVE (A)       |
|              | FREESTANDING (F) |
|              | CLAWFOOT (L)     |
|              | PEDESTAL (P)     |

Jet & Control placement may vary



### STANDARD FEATURES & ACCESSORIES for COMBINATION SILVER SERIES BATHS \_\_\_\_\_

#### JETS

- 21 Air & Water Massage Jets
- Accumassage Back, Neck Jets
- Ultra Flow Jets 
- Micro Flow Jets 
- Classic Air Jets 

#### PUMPS

- 2.25 Hydropower 1-speed Pump
- 1.0 Air Power 3-Speed Warm Air Pump
- Quiet Pad Anti-Vibration Mounted Pump

#### CONTROLS

- Air Switch On/Off Control(s)
- Automatic Purge & Dry Cycle Control

#### PURITY

- HydroClean Water Purity System
- HydroCleanse

#### STANDARD ACCESSORIES

- Mood Light
- Lift & Turn Drain - White, Biscuit, Bone, Brushed Nickel, Oil Rubbed Bronze, Polished Chrome
- Deluxe Cushion Pillow
- EZ Level Adjustable Legs
- FDA Recipe Non-Toxic Food & Beverage Grade Plumbing (primarily)
- 30 Point Quality Assurance Factory Test

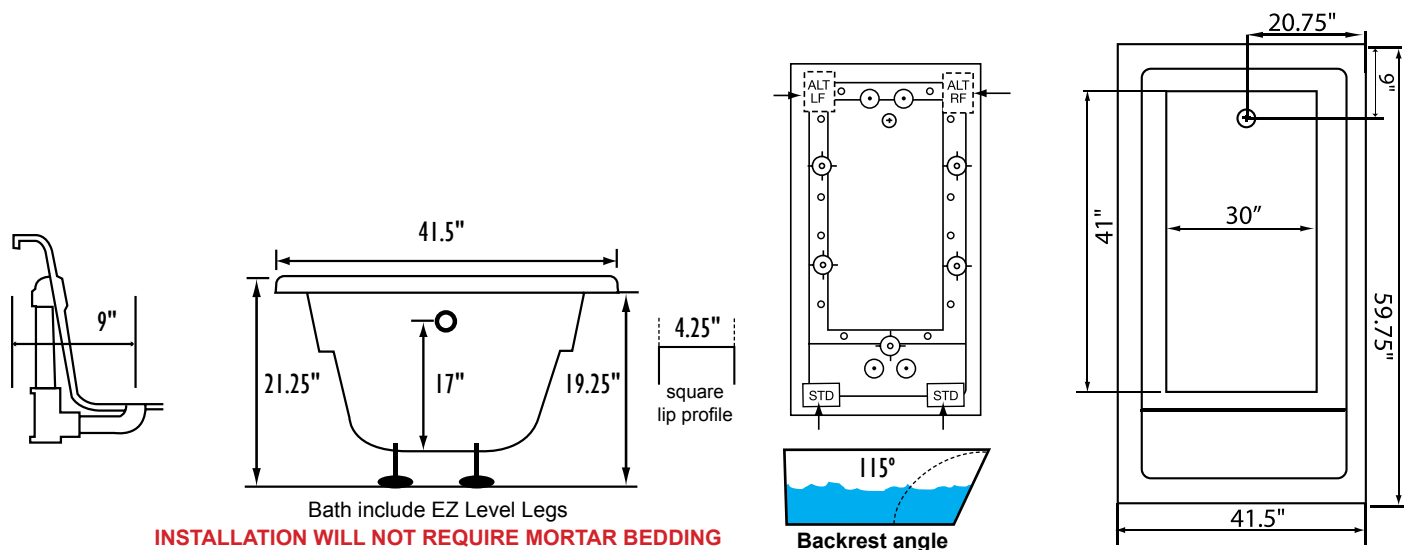
#### REQUIREMENTS

- Pump Location(s): Select 2
- Electrical: two 115v 20AMP GFCI Circuits
- Tube should not be supported by the lip in any way.**
- Level tub & screw or glue EZ Level adjustable legs to sub floor.**
- CUT OUT DIMENSIONS:**
  - OVALS:** A template will be provided
  - RECTANGLES:** Subtract 1" to 1.5" from length & width for hole cut out size

**EZ CLEAN CAST ACRYLIC LIMITED LIFETIME WARRANTY**  **US ANSI TEXTURED FLOOR**

### OPTIONAL FEATURES & ACCESSORIES

(Please type in the box below)



Some standard & most alternate pump locations may stick out past perimeter of the bath 1"-3". NOTE: Graphics may not be to scale. Specifications and features are subject to change without notice and are ± .25". All final measurements should be taken from tub on site. Access 18"x 18" or larger is required for each pump. Consult your contractor for installation requirements.