

# Zen ZEHG6632SD

66" x 32" x 23"

HYDRO GOLD SERIES

*Hydro Massage*  
Your Health ... Our Passion

PRODUCT NUMBER: ZEHG6632SD



TECHNICAL SPECIFICATIONS	
Drain	Side drain
Pump Location(s): Select 1	Std. = Standard / Alt LF/RF Optional
Bath Weight (empty)	155 lbs
Gallons to Operate	44-69
ELECTRICAL SPECIFICATIONS	
Motor/Pump	(1) 115v 20AMP GFCI Circuits
Inline Stainless Steel Heater	(1) 115v 20AMP GFCI Circuit

BATHERS: 1	
INSTALLATION	
•	DECK (D)
•	UNDER MOUNT (U)
•	ALCOVE (A)
	FREESTANDING (F)
	CLAWFOOT (L)
	PEDESTAL (P)

Jet & Control placement may vary



## STANDARD FEATURES & ACCESSORIES for HYDRO GOLD SERIES BATHS \_\_\_\_\_

### JETS

12 Water Massage Jets  
Back Massage System(s) (6 Jets)  
Accumassage Back and Neck Jets ⊕  
6 Ultra Flow Jets ⊖

### PUMPS

3.25 Hydropower 3-speed Pump  
Quiet Pad Anti-Vibration Mounted Pump

### HEATERS

Stainless Steel Electric Heater

### CONTROLS

Air Switch On/Off Control(s) For Hydro Pump & Mood Light  
3 Speed Massage: High, Medium or Low

### PURITY

HydroClean Water Purity System\  
HydroCleanse

### STANDARD ACCESSORIES

Mood Light  
Lift & Turn Drain - White, Biscuit, Bone, Brushed Nickel,  
Oil Rubbed Bronze, Polished Chrome  
Deluxe Cushion Pillow  
EZ Level Adjustable Legs  
FDA Recipe Non-Toxic Food & Beverage Grade  
Plumbing (primarily)  
30 Point Quality Assurance Factory Test

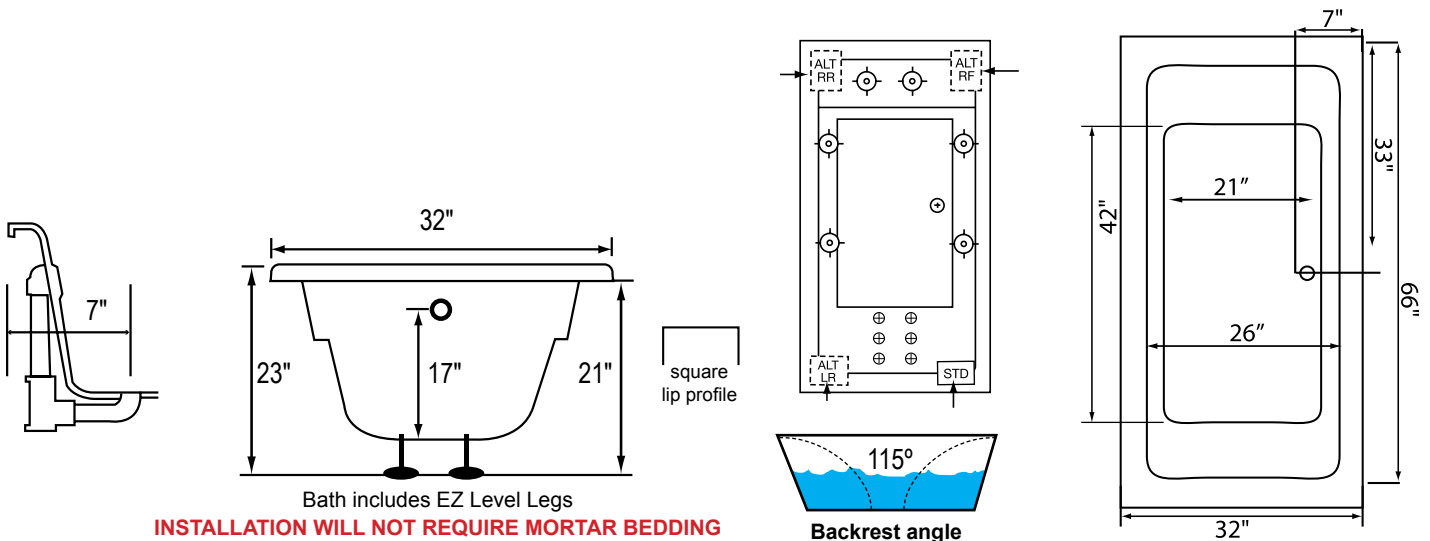
### REQUIREMENTS

Pump Locations: Select 1  
Electrical: two 115v 20AMP GFCI Circuits  
Drain: Select Color / Finish  
**Tub should not be supported by the lip in any way.**  
**Level tub & screw or glue adjustable EZ Level legs to sub floor.**  
**CUT OUT DIMENSIONS:**  
**OVALS:** A template will be provided  
**RECTANGLES:** Subtract 1" to 1.5" from length & width for hole cut out size

**EZ CLEAN CAST ACRYLIC LIMITED LIFETIME WARRANTY** **us ANSI**

## OPTIONAL FEATURES & ACCESSORIES

(Please type in the box below)



**INSTALLATION WILL NOT REQUIRE MORTAR BEDDING**

Some standard & most alternate pump locations may stickout past perimeter of the bath 1"-3". NOTE: Graphics may not be to scale. Specifications and features are subject to change without notice and are ± .25". All final measurements should be taken from tub on site. Access 18"x 18" or larger is required for each pump. Consult your contractor for installation requirements.