

Zen ZERS6030 60" x 30" x 21"

PRODUCT NUMBER: ZERS6030

ReVive Silver Oxygen Soak Series

Hydro Massage
Your Health ... Our Passion

TECHNICAL SPECIFICATIONS	
Drain	End drain
Pump Location(s): Select 1	Std. = Standard / Alt LF/RF Optional
Bath Weight (empty)	145 lbs
Gallons to Operate	38-56
ELECTRICAL SPECIFICATIONS	
Motor/Pump	(1) 115v 20AMP GFCI Circuits

BATHERS: 1	
INSTALLATION	
•	DECK (D)
•	UNDER MOUNT (U)
•	ALCOVE (A)
	FREESTANDING (F)
	CLAWFOOT (L)
	PEDESTAL (P)



STANDARD FEATURES & ACCESSORIES

PUMPS

Oxygen Pressure Pump
Quiet Pad Anti-Vibration Mounted Pump

CONTROLS

Air Switch On/Off Control(s) for Hydro Pump

PURITY

HydroCleanse

STANDARD ACCESSORIES

EZ Clean Cast Acrylic
FDA Recipe Non-Toxic Food & Beverage Grade Plumbing (primarily)
30 Point Quality Assurance Factory Test
EZ Level Adjustable Legs

OPTIONAL FEATURES & ACCESSORIES

Hair and Facial Wand

REQUIREMENTS

Pump Locations: Select 1

Electrical: one 115v 20AMP GFCI Circuits

Tub should not be supported by the lip in any way.

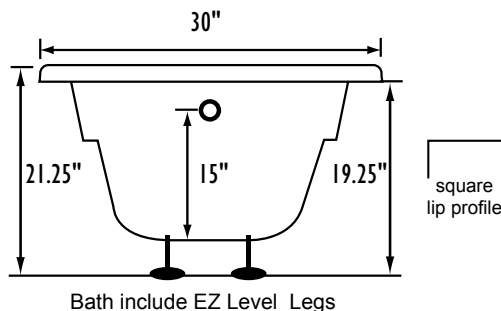
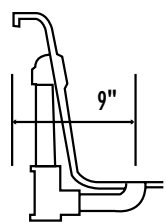
Level tub & screw or glue EZ Level adjustable legs to sub floor.

CUT OUT DIMENSIONS:

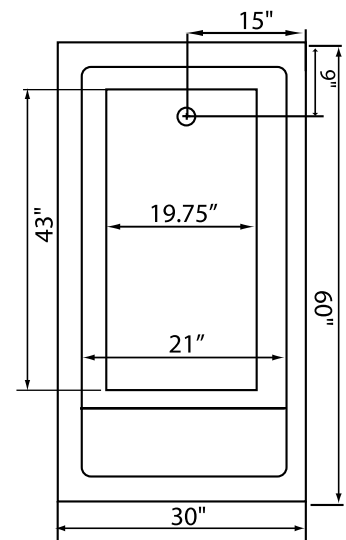
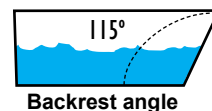
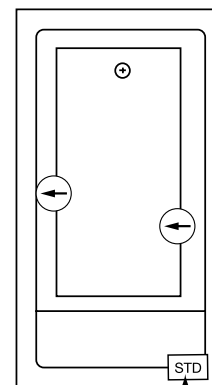
OVALS: A template will be provided

RECTANGLES: Subtract 1" to 1.5" from length & width for hole cut out size

**EZ CLEAN CAST ACRYLIC
LIMITED LIFETIME WARRANTY**



INSTALLATION WILL NOT REQUIRE MORTAR BEDDING



NOTE: Specifications and features are subject to change without notice and are based on current product information. All final measurements should be taken from tub on site. Access 18" x 18" or larger is required for each pump. Consult your contractor for installation requirements.
Hydromassage Products LLC • 303-341-1845 | FAX: 303-341-1850 • www.hydromassageproducts.com
Hydromassage Products LLC • 303-341-1845 | FAX: 303-341-1850 • www.hydromassageproducts.com