

# Zen ZERS6034SKTF 60" x 34" x 23"

PRODUCT NUMBER: ZERS6034SKTF-LH & ZERS6034SKTF-RH  **A**

ReVive Silver Oxygen Soak Series

*Hydro Massage*  
Your Health ... Our Passion

TECHNICAL SPECIFICATIONS	
Drain	End drain
Pump Location(s): Select 1	Std. = Standard / Alt LF/RF Optional
Bath Weight (empty)	165 lbs
Gallons to Operate	38-56
ELECTRICAL SPECIFICATIONS	
Motor/Pump	(1) 115v 20AMP GFCI Circuits

BATHERS: 1	
INSTALLATION	
	DECK (D)
	UNDER MOUNT (U)
•	ALCOVE (A)
	FREESTANDING (F)
	CLAWFOOT (L)
	PEDESTAL (P)



Integral Skirt w magnetic access panel

## STANDARD FEATURES & ACCESSORIES

### PUMPS

Oxygen Pressure Pump  
Quiet Pad Anti-Vibration Mounted Pump

### CONTROLS

Air Switch On/Off Control(s) for hydro pump

### STANDARD ACCESSORIES

EZ Clean Cast Acrylic  
FDA Recipe Non-Toxic Food & Beverage Grade Plumbing (primarily)  
30 Point Quality Assurance Factory Test  
EZ level Adjustable Legs  
Integral Skirt with Magnetic Access Panel

### OPTIONAL FEATURES & ACCESSORIES

Hair and Facial Wand

## REQUIREMENTS

Pump Locations: Select 1

Electrical: one 115v 20amp GFCI Circuits

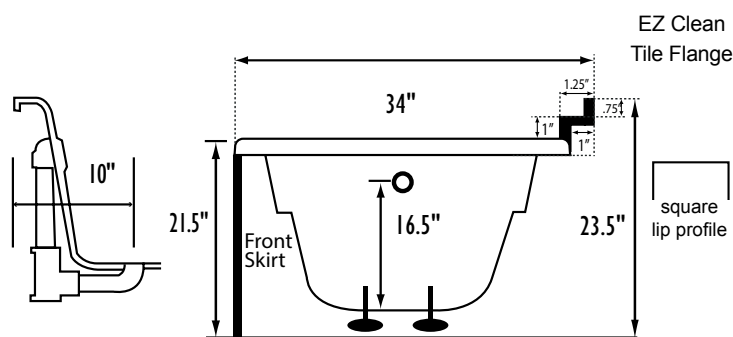
**Tub should not be supported by the lip in any way. Level tub & screw or glue adjustable legs to sub floor.**

### CUT OUT DIMENSIONS:

**OVALS:** A template will be provided

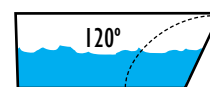
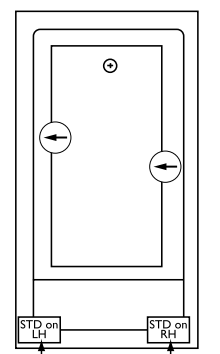
**RECTANGLES:** Subtract 1" to 1.5" from length & width for hole cut out size

**EZ CLEAN CAST ACRYLIC**  
**LIMITED LIFETIME WARRANTY**  **us ANSI**

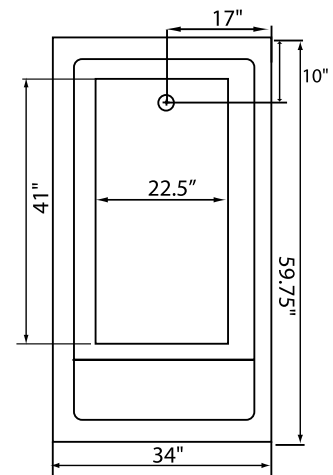


Bath includes EZ Level Legs

**INSTALLATION WILL NOT REQUIRE MORTAR BEDDING**



Backrest angle



Some standard & most alternate pump locations may stickout past perimeter of the bath 1"-3". NOTE: Graphics may not be to scale. Specifications and features are subject to change without notice and are  $\pm .25"$ . All final measurements should be taken from tub on site. Access 18"x 18" or larger is required for each pump. Consult your contractor for installation requirements.